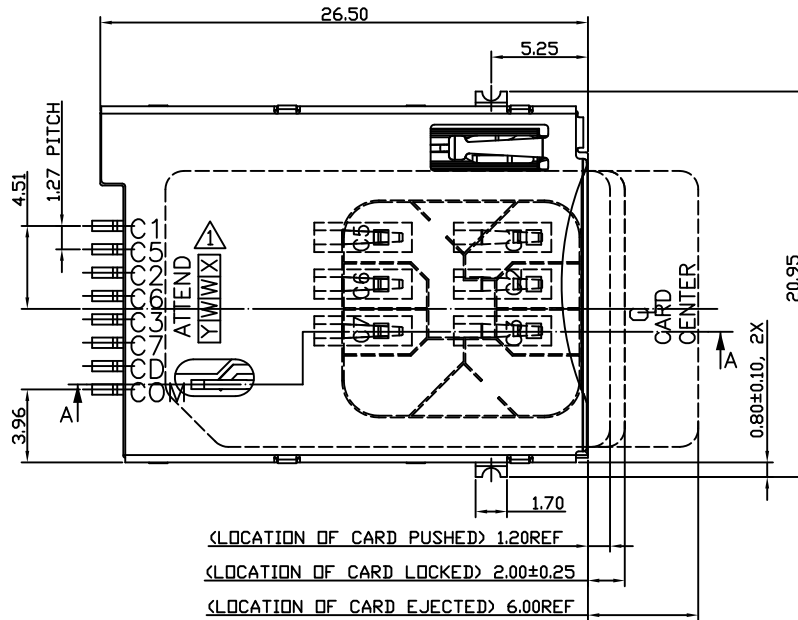
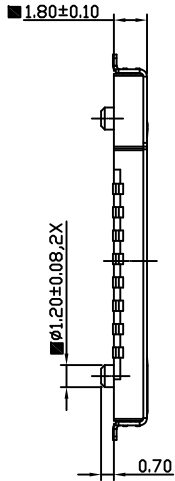
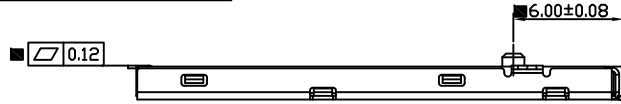


CARD DETECT SW. STATUS.



- NOTES:
1. MATERIAL:
HOUSING: LCP+30% G.F., UL 94V-0 RATED, COLOR BLACK.
CONTACTS: COPPER ALLOY.
SHIELD COVER: SUS304, 0.2T.
 2. PLATING:
CONTACT AREA: HARD GOLD PLATING OVER 1.27 μm (50 μm) MIN, NICKEL UNDERPLATING.
SOLDERING ZONE: 3.05 μm (120 μm) MIN. 100% TIN, OR LEAD-FREE PLATING PER PART NUMBER DESIGNATION, OVER NICKEL UNDERPLATING.
SHIELD COVER: GOLD FLASH NICKEL UNDERPLATING.
UNDERPLATING: 1.27 μm (50 μm) MIN. NICKEL ALLOVER.
 3. CUTTING BURR ALLOWED: 0.03mm MAX.
 4. THE DIMENSIONS MARKED WITH "■" ARE CRITICAL DIMENSIONS.
 5. COPLANARITY IS 0.10mm MAX.
 6. RoHS COMPLIANT PRODUCTS.
 7. DATE CODE MARKING:



PRODUCT NUMBER:
115A-A D A 0-R02
1 2 3 4 5

- 1.Type
A:6 Pin
- 2.Contact Plating
D:10u"Gold Plating
- 3.Stand Off
A:0mm
- 4.Peg Type
0:w/Peg
- 5.RoHS

PARTS LIST

ITEM	DESCRIPTION	QTY(PC'S)
1	HOUSING	1
2	SLIDER	1
3	MAIN CONTACT	1
4	COM CONTACT	1
5	CD CONTACT	1
6	METAL COVER	1
7	CRANK	1
8	SPRING	1

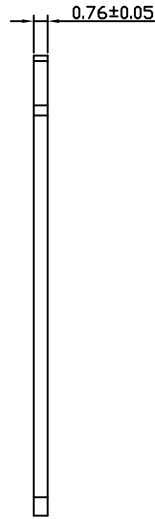
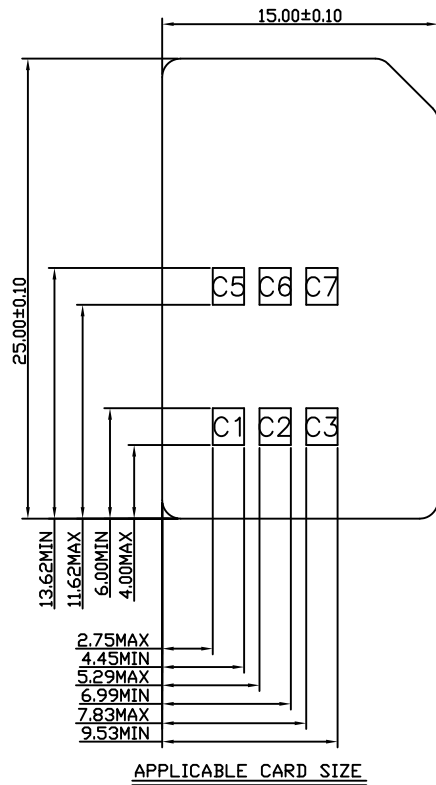
UNLESS OTHERWISE SPECIFIED TOLERANCE		
ANGLES	ANG.	±5°
LINEAR	0.	±0.3
	0.0	±0.25
	0.00	±0.20
SCALE	AS SHOWN	UNIT: mm
DRAWN	Willis	2012/08/03
CHECKED	Angel	2012/08/03
APPROVED	Ken	2012/08/03



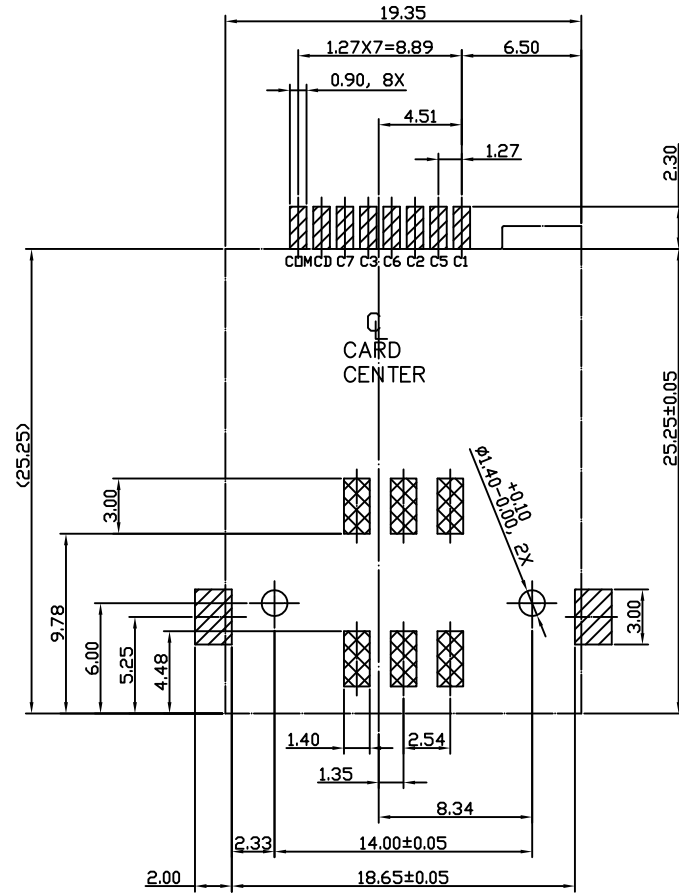
www.attend.com.tw

REV.	DESCRIPTION	DATE	REV.	DESCRIPTION	DATE	SIZE	REV.	FILE NAME
1	Revise:					A4	1.0	115A-ADA0-R02_B_3
2	Revise: pin definition	2010/10/11						
3	Revise: date code marking	2009/11/25						

DRAWN NAME:		Willis
S1M Card Socket 6+2Pin Push-Push Type		2012/08/03
PRODUCT NO.	115A-ADA0-R02	
FILE NAME	115A-ADA0-R02_B_3	



PIN DEFINITION						
NAME	C1	C2	C3	C5	C6	C7
TYPE	Vcc	RST	CLK	GND	Vpp	I/O



RECOMMENDED PCB LAYOUT

TRACER PROHIBITION AREA

UNLESS OTHERWISE SPECIFIED TOLERANCE		
ANGLES	ANG.	±5°
LINEAR		±0.3
		±0.25
		±0.20

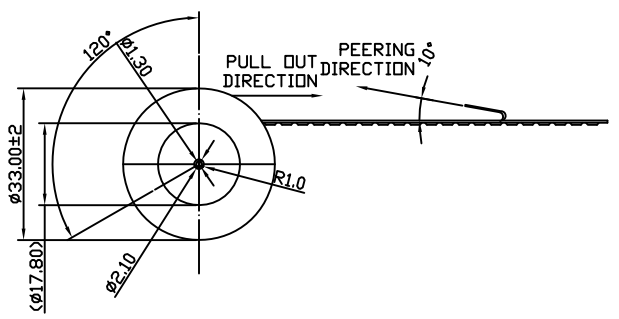
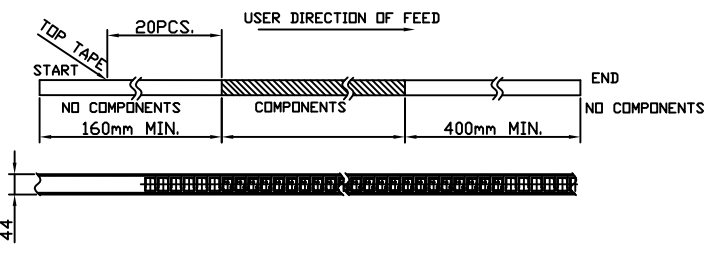
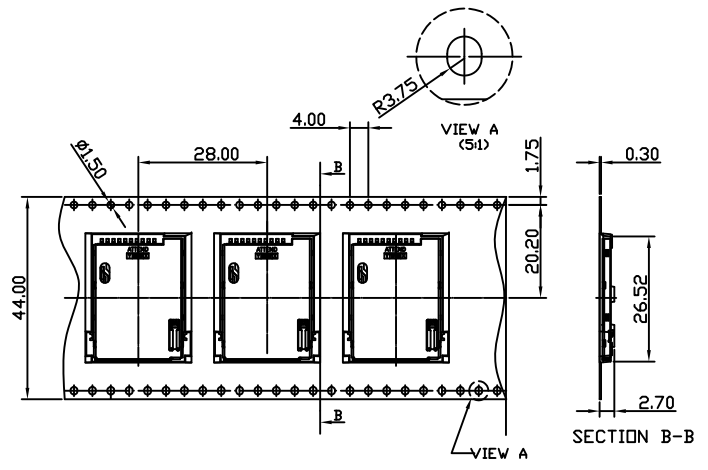


www.attend.com.tw

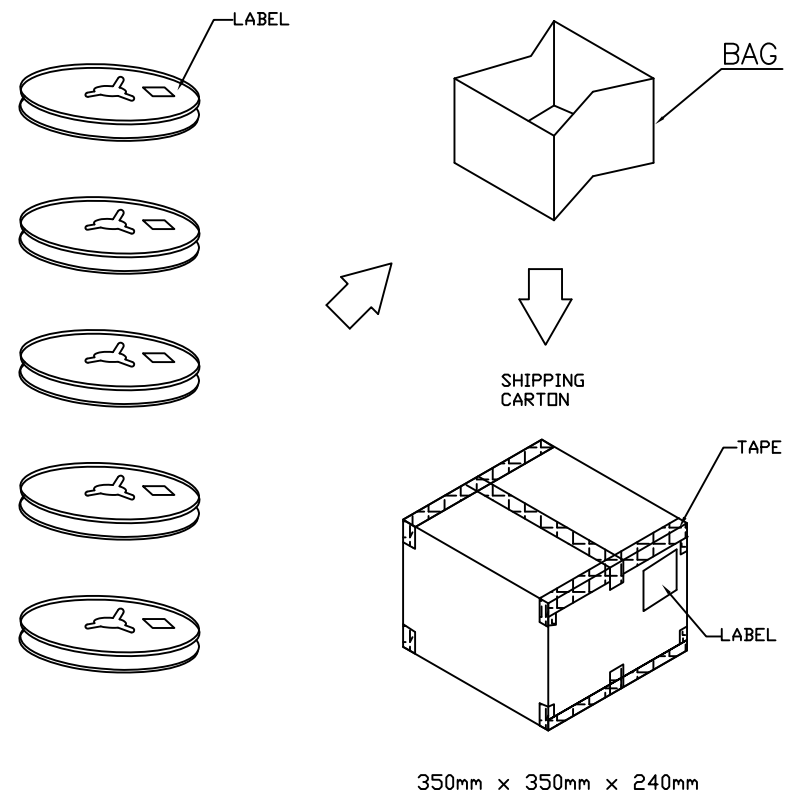
REV.	DESCRIPTION	DATE	REV.	DESCRIPTION	DATE	SIZE	REV.	FILE NAME
1			4		2010/10/11	A4	1.0	115A-ADA0-R02_B_3

3	Revise:							
2	Revise: pin definition							
1	Revise: date code marking							

DRAWN NAME:		115A-ADA0-R02
SIM Card Socket 6+2Pin Push-Push Type		
PRODUCT NO.	115A-ADA0-R02	



NOTE:
 1. 115A SERIES STANDARD PACKING: 500 PCS/REEL
 2. 5 REEL/SHIPPING CARTON



REV.	DESCRIPTION	DATE	REV.	DESCRIPTION	DATE	SIZE	REV.	FILE NAME
1			4			A4	1.0	115A-ADA0-R02_D_2
2			5					
3			6					
4			7					
5			8					
6			9					
7			10					

UNLESS OTHERWISE SPECIFIED TOLERANCE			www.attend.com.tw	
ANGLES	ANG.	±5°	DRAWN NAME: SIM Card Socket 6+2Pin Push-Push Type	
	0.	±0.3		
LINEAR	0.0	±0.25	DRAWN Willis 2012/08/03	
	0.00	±0.20		
SCALE	AS SHOWN	UNIT: mm	CHECKED Angel 2012/08/03	
DRAWN	Willis	2012/08/03		
APPROVED Ken 2012/08/03			PRODUCT NO. 115A-ADA0-R02	
2010/10/11			FILE NAME 115A-ADA0-R02_D_2	
2009/11/25				



△ Revise:

△ Revise: pin definition

△ Revise: date code marking