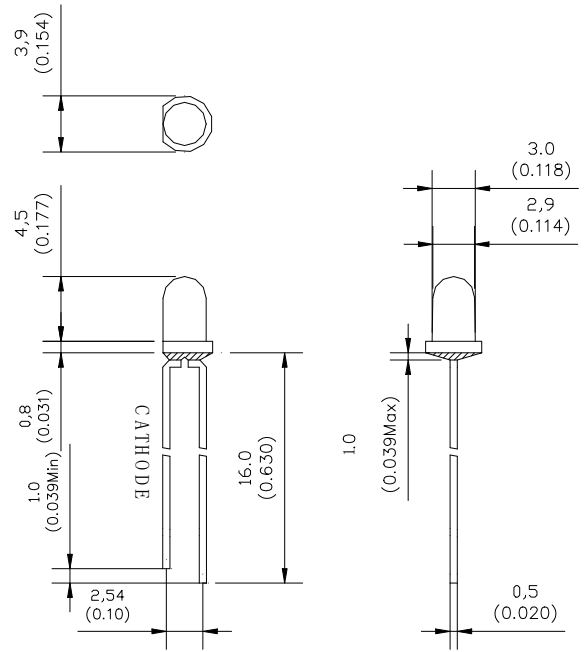


GNL-3012xx (Φ 3mm ROUND TYPE) Standard Brightness

ABSOLUTE MAXIMUM RATING:(Ta=25°C)

| Parameter | | | Unit |
|--|-----|------|------|
| DC Forward Current | 30 | | mA |
| Reverse Voltage | 5 | | V |
| Reverse Current (Vr=5V) | 10 | | μA |
| Peak Forward Current ,tw ,=1 msec Duty ,=1/20 | 150 | | mA |
| Operation Temperature | -40 | +80 | °C |
| Storage Temperature | -40 | +100 | °C |
| Solder Dip (5 seconds,1.6mm from body) Temperature | 260 | ±5 | °C |



Feature:

- 1.Low power consumption
- 2.High efficiency and low cost
- 3.Versatile mounting on P.C.board or panel
- 4.Wide and narrow viewing angle
- 5.Long life sold state reliability

Description:

- 1.The shape of this series is round
- 2.General application is for indication,illumination,etc.
- 3.These LED lamps are available with a choice of defferent colors,light intensities,epoxy colors,etc.

| Part Number | EMITTED COLOR | | Lens Color | Peak Wavelength (nm) | Vf (v) Typ. | IV (If=20mA) mcd | | View Angle 2 θ 1/2 |
|--------------|---------------|--------|-----------------|----------------------|-------------|------------------|------|--------------------|
| | | | | | | Min. | Typ. | |
| GNL-3012HD | GaP | Red | Red Diffused | 700 | 2.1 | 0.6 | 1.8 | 60° |
| GNL-3012GD | GaP | Green | Green Diffused | 565 | 2.1 | 1.0 | 7.0 | 60° |
| GNL-3012YD | GaAsP | Yellow | Yellow Diffused | 585 | 2.1 | 2.0 | 6.0 | 60° |
| GNL-3012ED | GaAsP/GaP | Orange | Red Diffused | 635 | 2.0 | 1.0 | 8.0 | 60° |
| GNL-3012ED-E | GaAsP/GaP | Orange | Orange Diffused | 635 | 2.0 | 1.0 | 8.0 | 60° |