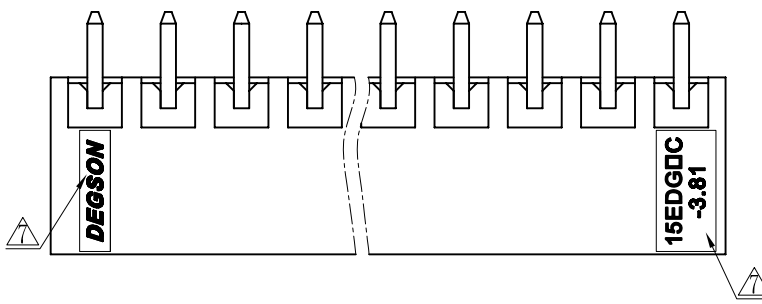
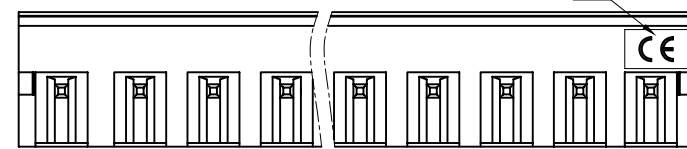
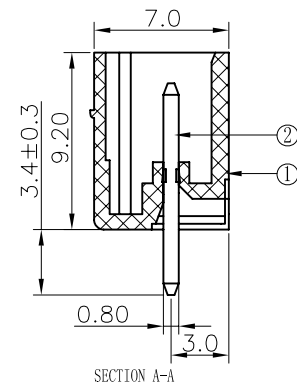
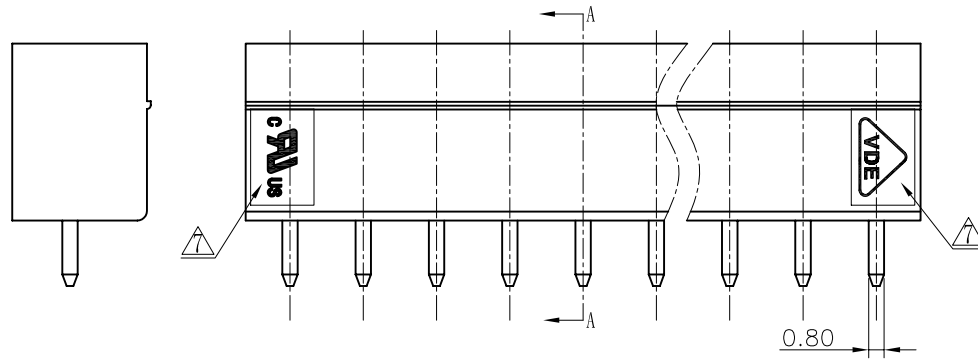
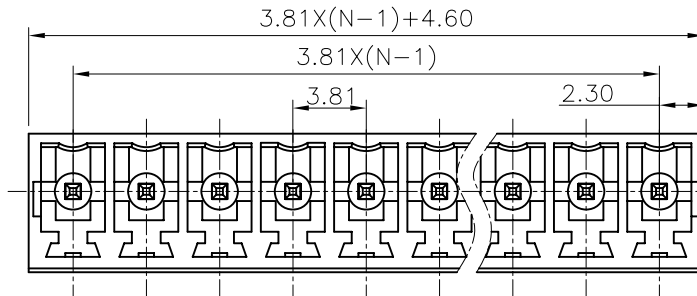


REVISION RECORD				
REV	ECO	DESCRIPTION	DRFT	DATE
△1		Drawing emend	WF	05/07/06*
△2		去掉UL中的小“R”字	CSX	09/17/07*
△3		更新图面	LJH	03/01/08*
△4		老模新开更改刻字	WLM	07/12/08*
△5		增加自动化方针	WLM	10/31/08*
△6		增加VDE, CE刻字及修改刻字	Zengy	12/26/08*
△7		工程变更2-6P取消卡槽	XGF	04/11/09*



Notes:

1. Pitch: 3.81mm , Poles: 2-24P
2. Rated voltage/current: UL 300V/8A
VDE 250V/7A
3. Operation temperatures: -40°C ~ +105°C
4. Withstanding Voltage: AC2000V/1min
5. Insulation Resistance: 5000MΩ/DC1000V
6. Undimensioned Tolerances:

Pitch range in mm		Nominal dimension range in mm					—
to 6	over 6 to 10	over 10 to 24	to 30	over 30 to 60	over 60 to 100	over 100 to 150	∩ ∇
±0.10	±0.15	±0.25	±0.2	±0.3	±0.5	±0.7	±1.0

2	15EDGVC-Pin header	△6 1002B00060 (H)	XX	Brass	Automatic assembly
2	15EDGVC-Pin header	1002B00010 (H)	XX	Brass	Manual assembly

1	15EDGVC-3.81-Housing	1003A0YXXA (H)	1	PA66	UL94V-0
ITEM	NAME OF PART	NO. OF PART	Q'TY	MATERIAL	NOTES
TOLERANCES EXCEPT AS NOTED MM (INCH) .0 ± .00 ± .000 ±		DFTO: Zhuwm DATE 07/24/'04 CHKD DATE MFO DATE APPVL DATE		宁波高正电子有限公司 DEGSON ELECTRONICS CO., LTD NAME 15EDGVC-3.81-XXP-1Y-00A(H)	
ANGLES ± 1' THIRD ANGLE PROJECTION		G.E : FINISH : SCALE : 1:1		DRAWING NO. 15EDGVC-3.81-E03 /PART NO. SIZE A3 REV T8 04/11/09*	
DO NOT SCALE DRAWING				SHEET 1 OF 1	