

**2SC2271**



2006A

(T-31-23

NPN Triple Diffused Planar Silicon Transistor

## Chroma Output, Horizontal Deflection Driver Applications

©493E

Small-sized color TV chroma use and B/W TV, color TV horizontal deflection driver use.

Absolute Maximum Ratings at Ta=25°C

|                              |      |             | unit |
|------------------------------|------|-------------|------|
| Collector to Base Voltage    | VCBO | 300         | V    |
| Collector to Emitter Voltage | VCEO | 300         | V    |
| Emitter to Base Voltage      | VEBO | 6           | V    |
| Collector Current            | IC   | 100         | mA   |
| Peak Collector Current       | icp  | 300         | mA   |
| Collector Dissipation        | PC   | 900         | mW   |
| Junction Temperature         | Tj   | 150         | °C   |
| Storage Temperature          | Tstg | -55 to +150 | °C   |

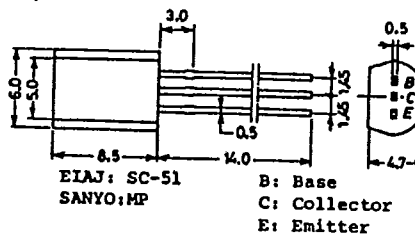
Electrical Characteristics at Ta=25°C

|                           |          |                   | min | typ | max  | unit |
|---------------------------|----------|-------------------|-----|-----|------|------|
| Collector Cut Off Current | ICBO     | VCB=200V, IE=0    |     |     | 1.0  | uA   |
| Emitter Cut Off Current   | IEBO     | VEB=6V, IC=0      |     |     | 1.0  | uA   |
| DC Current Gain           | hFE      | VCE=10V, IC=10mA  | 40* |     | 200* |      |
| Gain Band Width Product   | fT       | VCE=30V, IC=10mA  | 50  |     |      | MHz  |
| Output Capacitance        | cob      | VCB=10V, f=1MHz   |     |     | 7.5  | pF   |
| C-E Saturation Voltage    | VCE(sat) | ) IC=20mA, IB=2mA |     |     | 0.6  | V    |
| B-E Saturation Voltage    | VBE(sat) |                   |     |     | 1.0  | V    |

\* The 2SC2271 is classified by 10mA hFE as follows.

|    |   |    |    |   |     |     |   |     |
|----|---|----|----|---|-----|-----|---|-----|
| 40 | C | 80 | 60 | D | 120 | 100 | E | 200 |
|----|---|----|----|---|-----|-----|---|-----|

Case Outline 2006A  
(unit:mm)



The 2SC2271 is scheduled to be discontinued soon. Use the 2SC3468, instead of the 2SC2271, in new applications where you are planning to use the 2SC2271.

4157KI/3195MW, TS No.493-1/2

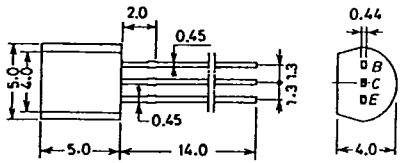
T-91-20

# CASE OUTLINES AND ATTACHMENTS

- All of Sanyo Transistor case outlines are illustrated below.
- All dimensions are in mm, and dimensions which are not followed by min. or max. are represented by typical values.
- No marking is indicated.

Case Outline-[2003A]

unit:mm

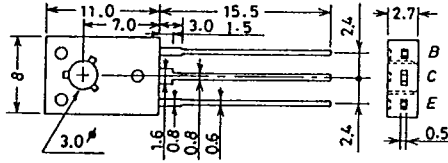


JEDEC: TO-92  
EIAJ: SC-43  
SANYO: NP

B: Base  
C: Collector  
E: Emitter

Case Outline-[2009A]

unit:mm

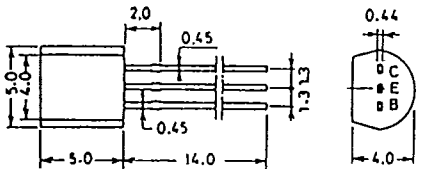


JEDEC: TO-126

B: Base  
C: Collector  
E: Emitter

Case Outline-[2004A]

unit:mm

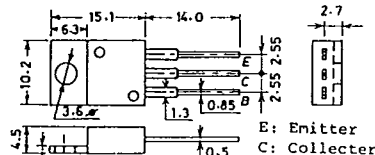


JEDEC: TO-92  
EIAJ: SC-43  
SANYO: NP

C: Collector  
E: Emitter  
B: Base

Case Outline-[2010A]

unit:mm

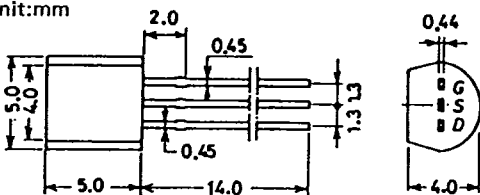


JEDEC: TO-220AB  
EIAJ: SC-46

E: Emitter  
C: Collector  
B: Base

Case Outline-[2005A]

unit:mm

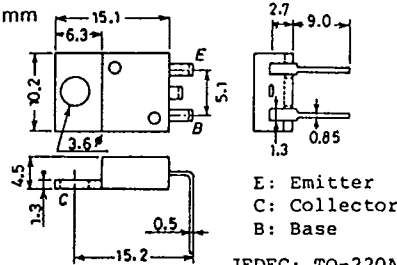


JEDEC: TO-92  
EIAJ: SC-43  
SANYO: NP

G: Gate  
S: Source  
D: Drain  
B: Base

Case Outline-[2012]

unit:mm

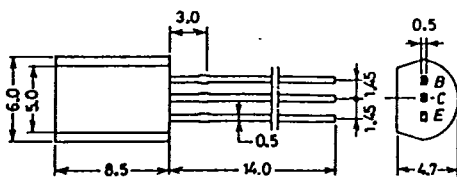


JEDEC: TO-220AA  
EIAJ: SC-45

E: Emitter  
C: Collector  
B: Base

Case Outline-[2006A]

unit:mm

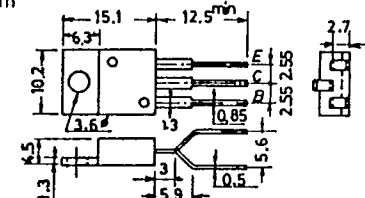


EIAJ: SC-51  
SANYO: MP

B: Base  
C: Collector  
E: Emitter

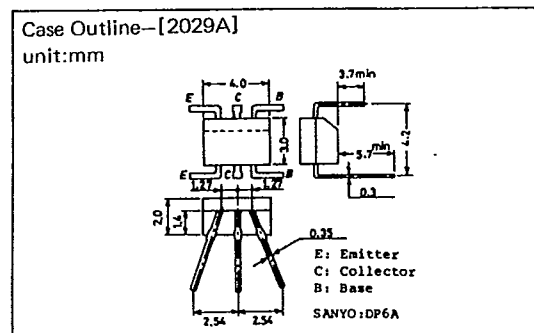
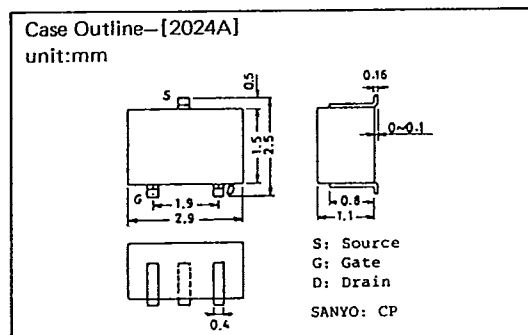
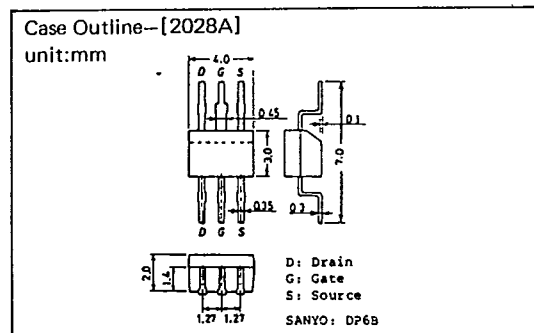
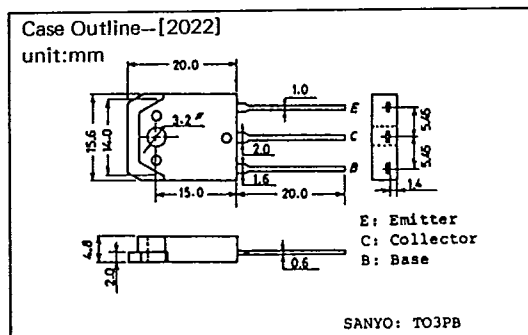
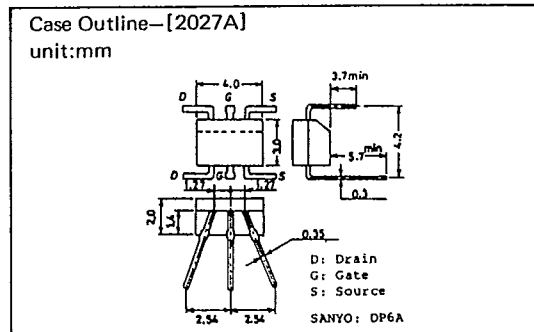
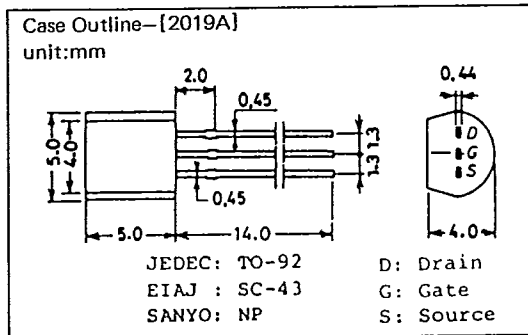
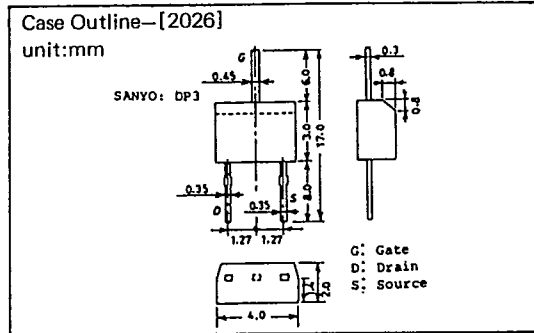
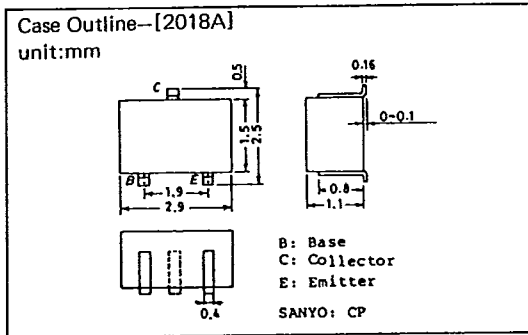
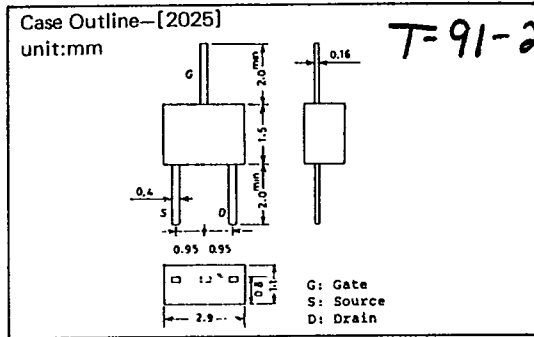
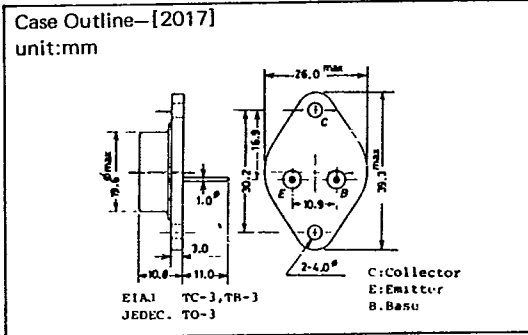
Case Outline-[2013]

unit:mm



JEDEC TO-220

B: Base  
C: Collector  
E: Emitter





T-91-20

