



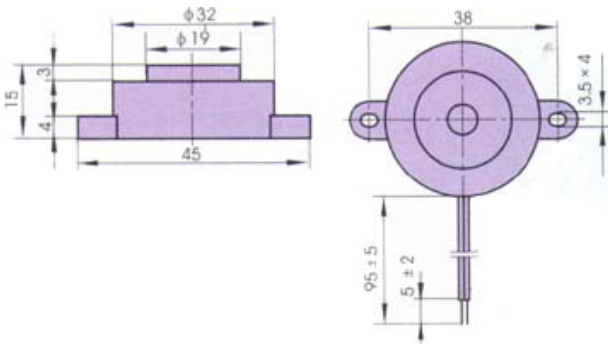
• **EFM-471L(AL,BL,ML)**



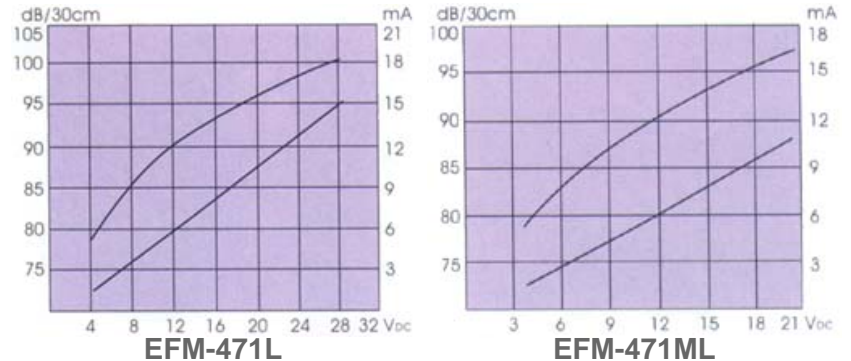
FEATURES:

- High output
- Low current

DIMENSIONS: (Unit: mm)



CHARACTERISTICS:



ELECTRICAL SPECIFICATIONS :

Model No.	EFM-471L	EFM-471AL	EFM-471BL	EFM-471ML
Min. Sound Pressure Level (dB)	90/12V _{DC} /30cm	90/24V _{DC} /30cm	85/6V _{DC} /30cm	87/12V _{DC} /30cm
Rated Voltage (V _{DC})	12	24	6	12
Operating Voltage (V _{DC})	3 ~ 24	18 ~ 30	1.5 ~ 16	3 ~ 20
Max. Consumption (mA)	15 /12V _{DC}	20 /24V _{DC}	4 /6V _{DC}	15 /12V _{DC}
Oscillating Frequency (kHz)	3.9 ± 0.5	3.7 ± 0.5	3.5 ± 0.5	3.9 ± 0.5
Tone Nature	Continuous	Continuous	Continuous	Pulse
Operating Temperature (°C)	-20 ~ +70			
Weight (g)	8.4			
Case Material/Colour	ABS/White	PC/Black	ABS/White	

PACKING INFORMATION :

Packing:	1400 pcs per export carton
Carton Size:	47 X 30.5 X 21 cm
G. Weight:	13.7 kgs
N. Weight:	12.1 kgs