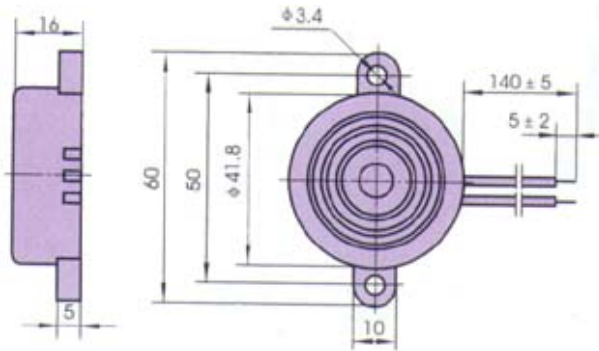
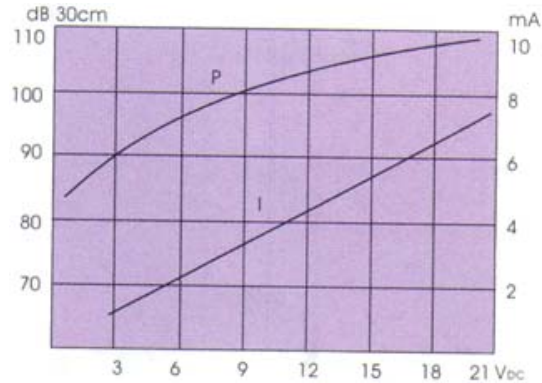




- **EFM-236L(236KL, 236ML)**

**FEATURES:**

- High output
- Low current drain
- Wide voltage range

DIMENSIONS: (Unit: mm)**CHARACTERISTICS:****ELECTRICAL SPECIFICATIONS :**

Model No.	EFM-236L	EFM-236KL	EFM-236ML
Min. Sound Pressure Level (dB)	100 /12V _{DC} /30cm		
Rated Voltage (V _{DC})	12		
Operating Voltage (V _{DC})	3 ~ 20		
Max. Consumption (mA)	15 /12V _{DC}		
Oscillating Frequency (kHz)	2.9 ± 0.5		
Tone Nature	Continuous	Fast Pulse	Slow Pulse
Operating Temperature (°C)	-20 ~ +70		
Weight (g)	12.4	15	15
Case Material/Colour	ABS/Black		

PACKING INFORMATION :

Packing :	900 pcs per export carton		
Carton Size :	47 X 30.5 X 25 cm		
G. Weight :	12.5 kgs	15 kgs	15 kgs
N. Weight :	11 kgs	13.5 kgs	13.5 kgs