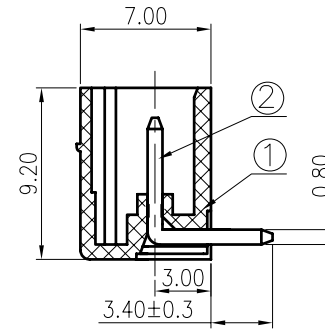
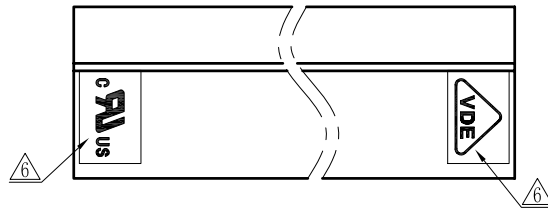
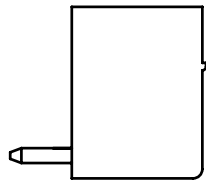
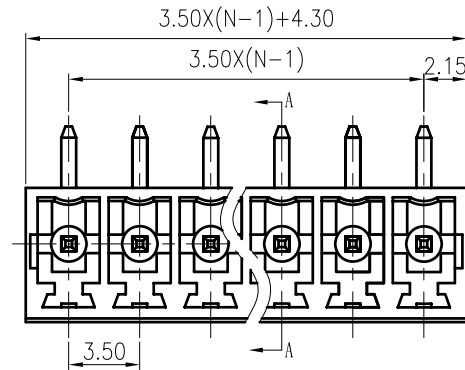
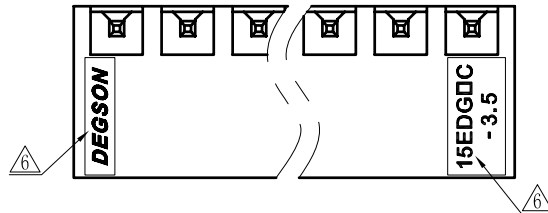
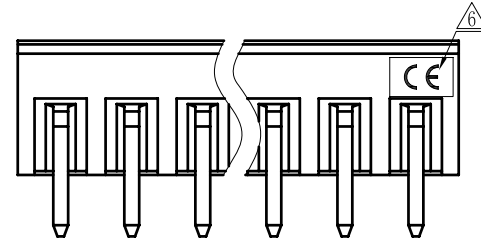


REVISION RECORD				
REV	ECO	DESCRIPTION	DRFT	DATE
△1		Drawing emend	WF	04/17/06
△2		增加UL刻字	YeJ	10/16/06
△3		更新图面	LJH	03/01/08
△4		老模新开更改刻字	WLM	07/14/08
△5		增加自动化方针	WLM	10/31/08
△6		增加IEC刻字及修改刻字; 2-取消消卡槽	Zengy	04/11/09



SECTION A-A



Notes:

- Pitch: 3.5mm, poles: 2-24p
- Rated voltage/current: UL 300V/8A
VDE 250/7A
- Operation temperatures: -40° C ~ +105° C
- Withstanding voltage: AC2000V/1min
- Insulation resistance: 5000MΩ/DC1000V
- Undimensioned Tolerances:

Pitch range in mm		Nominal dimension range in mm					
to 6	over 6 to 10	over 10 to 24	to 30	over 30 to 60	over 60 to 100	over 100 to 150	∩
±0.10	±0.15	±0.25	±0.2	±0.3	±0.5	±0.7	∇

2	15EDGRC-Pin header	△1003B00040 (H)	XX	Brass	Automatic assembly
2	15EDGRC-Pin header	1003B00010 (H)	XX	Brass	Manual assembly

ITEM	NAME OF PART	NO. OF PART	Q'TY	MATERIAL	NOTES
1	15EDGRC-3.5-Housing	1002A0YXXA (H)	1	PA66	UL94V-0
TOLERANCES EXCEPT AS NOTED		DFTO DZJ		DATE 07/27/05	
MM (INCH)		CHKD		DATE	
.0 ±		MFO		DATE	
.00 ±		APPVL		DATE	
.000 ±		MATERIAL :		NAME	
ANGLES ± 1'		G.E :		15EDGRC-3.5-XXP-1Y-00A(H)	
THIRD ANGLE PROJECTION		FINISH :		DRAWING NO. 15EDGRC-3.5-E02	
		SCALE : 1:1		/PART NO.	
		DO NOT SCALE DRAWING		SIZE A3	
		SHEET 1 OF 1		REV T6 04/11/09	