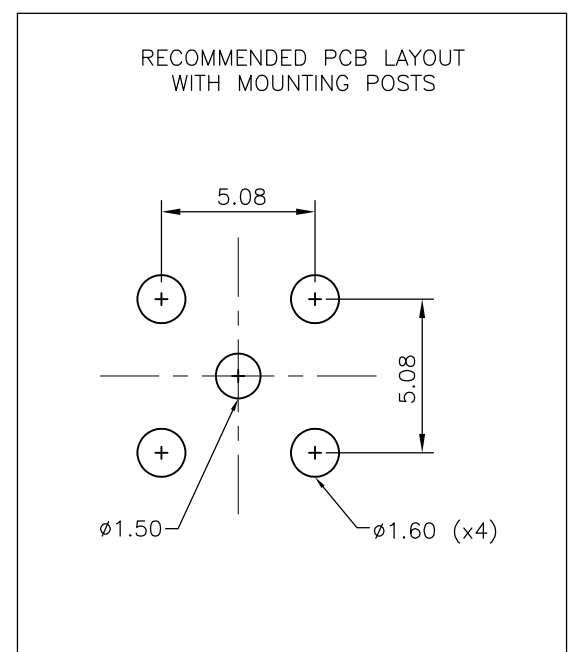
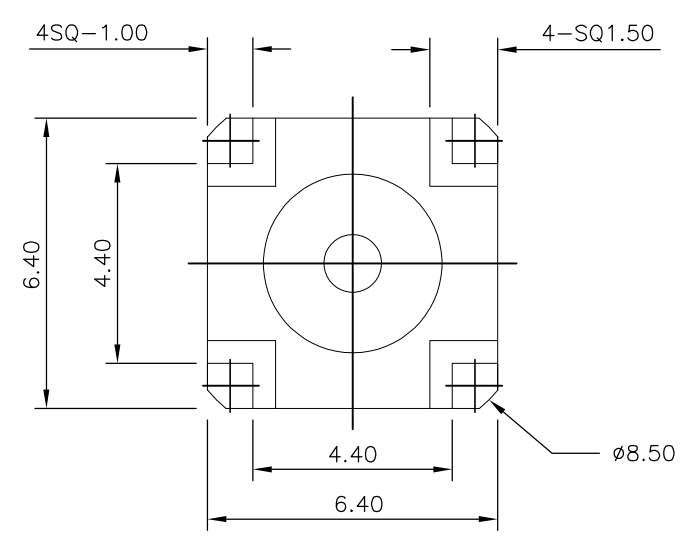
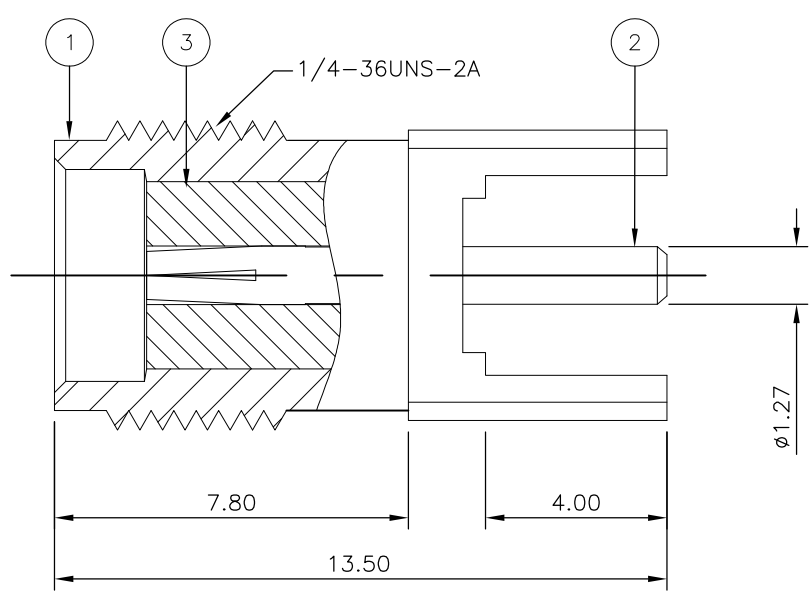


THIS DRAWING IS UNPUBLISHED. RELEASED FOR PUBLICATION JULY, 2006.
 © COPYRIGHT 2006 By - ALL RIGHTS RESERVED.

LOC	DIST	REVISIONS			
P	LTR	DESCRIPTION	DATE	DWN	APVD
E	B	B1	REVISED PER ECO-11-005033	31MAR11	RK HMR

- NOTES**
- 1 SINGLE PACK IN ACCORDANCE WITH AMP SPEC 107-3275
 - 2 100 TRAY PACK IN ACCORDANCE WITH AMP SPEC 107-3275
 - 3 Au PLATING



QTY	PLC	DESCRIPTION	MATERIAL	DESCRIPTION	ITEM
1	1	PTFE		INSULATOR	3
1	1	PHOSPHER BRONZE	3	SOCKET	2
1	1	ZINC ALLOY	3	BODY	1
5	15				

QUANTITY PER ASSY PARTS LIST

THIS DRAWING IS A CONTROLLED DOCUMENT.		DWN ANSON MA 19FEB09	TE Connectivity		
DIMENSIONS: mm		CHK RITA ZUO 19FEB09			
TOLERANCES UNLESS OTHERWISE SPECIFIED:		APVD BOB ZHAO 19FEB09	NAME		
0 PLC ± -		PRODUCT SPEC	SMA STRAIGHT PCB SOCKET DIE CAST		
1 PLC ± -		108-112000	-		
2 PLC ± 0.2		APPLICATION SPEC	-		
3 PLC ± -		WEIGHT	SIZE	CAGE CODE	DRAWING NO
4 PLC ± -		SEE TABLE	-	A300779	C-1814832
ANGLES ± -		FINISH	RESTRICTED TO	-	
MATERIAL		CUSTOMER DRAWING	SCALE	SHEET	REV
SEE TABLE			NTS	1 OF 1	B1