



3.0mm Round Type LED Lamps

PART NO: FYL-3014 PGC

REV NO: 1.0

PAGE: 1/2

Features:

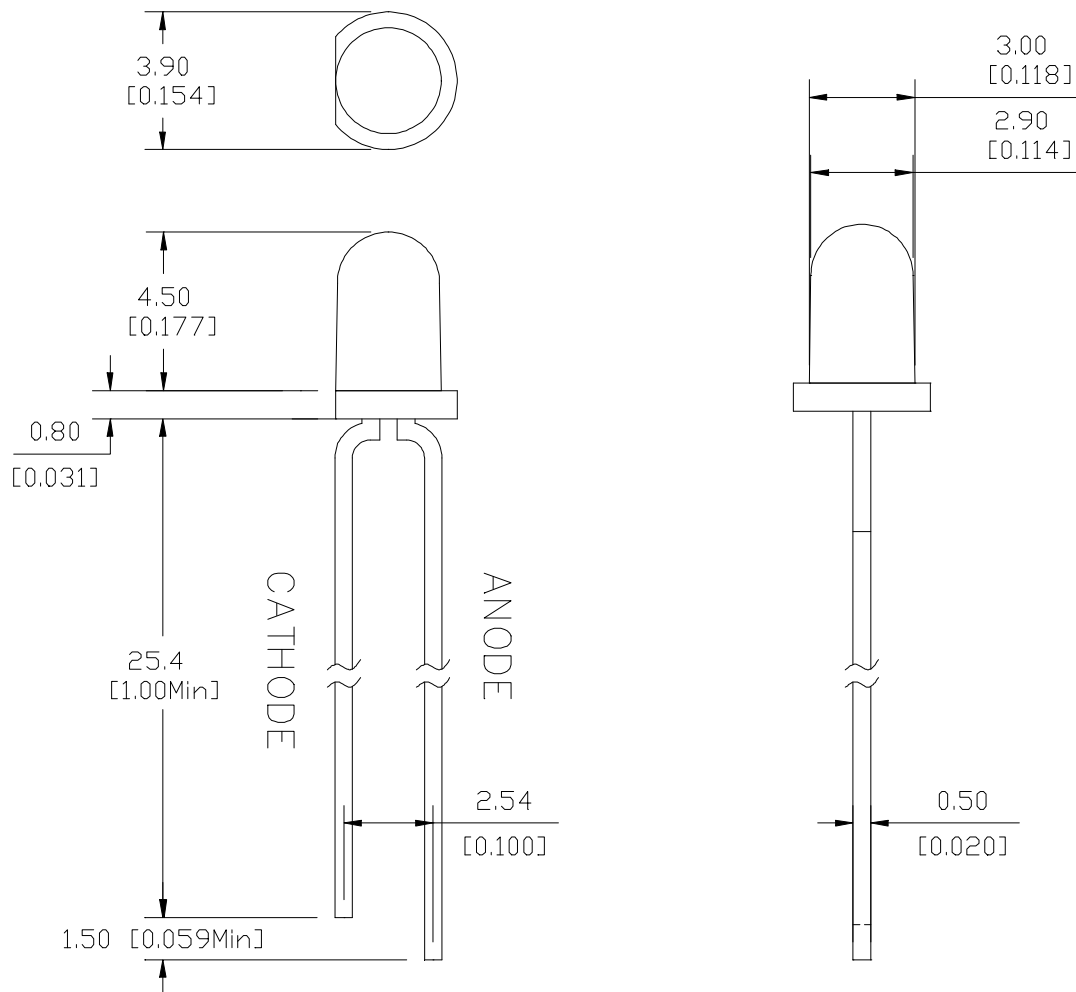
Pure Green brightness.
Choice of various viewing angles.
Lens color Water clear.

Popular T-1 diameter package.
IC compatible /Low current capability.

Descriptions:

The LED lamps are available with different colors , intensities , epoxy colors etc.

Package Dimensions:



NOTES:

1. All dimension are in millimeters(inch).
2. An epoxy meniscus may extend about 1.5mm down to the lead.
3. Tolerances unless dimension ± 0.25 mm.



3.0mm Round Type LED Lamps

PART NO: FYL-3014 PGC

REV NO: 1.0

PAGE: 2/2

Absolute Maximum Ratings at Ta=25

Parameter	Symbol	Rating	Unit
Forward Current	I _F	30	mA
Power Dissipation	P _d	110	mW
Reverse Voltage	V _R	5	V
Peak Forward Current (Duty 1/10 @1KHZ)	I _{PF}	100	mA
Operation Temperature	T _{OPR}	-40 to +80	
Storage Temperature	T _{STG}	-40 to +85	
Lead Soldering Temperature	T _{SOL}	Max.260 ± 5 for 3 sec Max. (1.6mm from the base of the epoxy bulb)	

Electronic Optical Characteristics at Ta=25

Items	Symbol	Min.	Typ.	Max.	Unit	Condition
Forward Voltage	V _F	-	3.80	4.50	V	I _F =20mA
Reverse Current	I _R	-	-	10	uA	V _R =5V
Peak Wavelength	λ _P	-	525	-	nm	I _F =20mA
Spectrum Line Half width		-	36	-	nm	I _F =20mA
Luminous Intensity	I _V	-	10000	-	mcd	I _F =20mA
Viewing Angle	2 1/2	-	20 °	-	degree	I _F =20mA

Specifications for Bin grading

(unit: mcd I_F=20mA)

Bin Code	Min.	Max.	Bin Code	Min.	Max.

Specifications for Voltage

(unit: V I_F=20mA)

Rank					
Voltage					

Specifications for Dominant Wavelength

(unit: nm I_F=20mA)

Rank					
Dominant Wavelength					