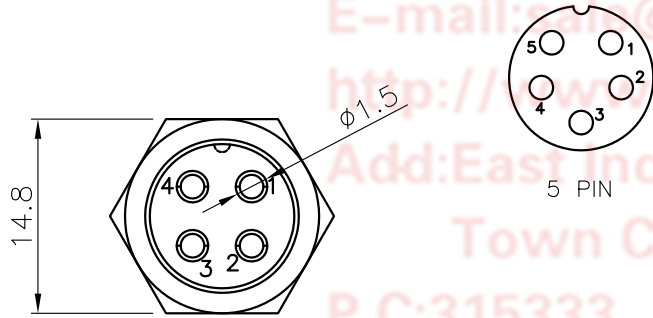
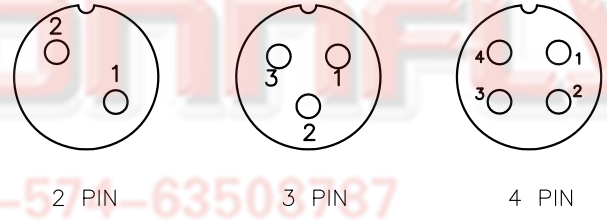
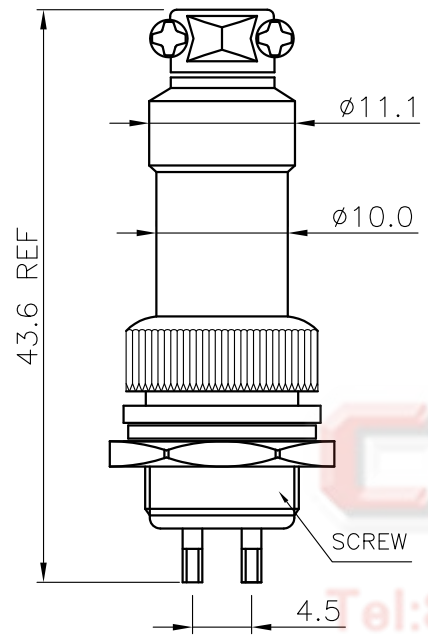


The information provided herein is from CONNELY Electronic Co., Ltd. and is confidential. Any disclosure to a party other than the recipient is prohibited. The intellectual properties and its rights contained herein, including but not limited to, trademarks, patents, copyrights, trade secrets, and technical know-how, are owned exclusively by CONNELY or its affiliates. Unauthorized use of this information in any format or manner. CONNELY may enforce its intellectual property rights at its own discretion; failures or delays to exercise such rights does not constitute a waiver of such rights.

1 2 3 4 5 6 7 8

| REV. | DESCRIPTION      | DRAWN         | CHECKED       | APPROVED      |
|------|------------------|---------------|---------------|---------------|
| A    | NEW RELEASE      | LL 07/18/06'  |               | LJC 07/18/06' |
| B    | DRAWING UPDATE   | JLZ 06/13/16' | HZW 06/13/16' | LJC 06/13/16' |
| C    | ADD PLATING TYPE | JLZ 06/28/18' |               |               |



NOTES:

- SPECIFICATION
  - CURRENT RATING: 5A Max.
  - DIELECTRIC WITH STANDING VOLTAGE: 500V(AC)
  - CONTACT RESISTANCE: 100mΩ Max.
  - INSULATION RESISTANCE: 1000MΩ(DC)Min

2.PRODUCT NUMBER CODE:

DS1110-01 - X X X

- CONTACT PLATING
- 6: SILVER
- 8: GOLD FLASH
- COLOR OF HOUSING:
- W: WHITE
- B: BLACK
- No. OF CONTACTS
- 2: 2pin 3: 3pin
- 4: 4pin 5: 5pin

Tel:86-574-63509737  
 Fax:86-574-63510817  
 E-mail: sales@connfly.com  
 http://www.connfly.com  
 Add:East Industry Zone KuangYan  
 Town Cixi Ningbo China  
 P.C:315333

| GENERAL TOLERANCE |       | ANGLE TOLERANCE   |              | PROJECTION  |    | TITLE                   |
|-------------------|-------|-------------------|--------------|---|----|-------------------------|
| X.                | ±0.60 | X.                | ±5°          | UNITS   | mm | MICRO JACK CONNECTOR    |
| .X                | ±0.38 | .X                | ±3°          | SHEET SIZE  | A4 | SERIES DS1110-01 SERIES |
| .XX               | ±0.25 | .XX               | ±2°          |   |    |                         |
| DRAWING TYPE      |       | CUSTOMER          |              | 晨翔电子有限公司<br><b>CONNFLY CONNELY ELECTRONIC CO. LTD</b> |    |                         |
| SCALE             |       | 1:1               | SHEET 1 OF 1 |   |    |                         |
| DRAWING NO.       |       | C-DS1110-01-XXX-C |              |   |    |                         |

1 2 3 4 5 6 7 8