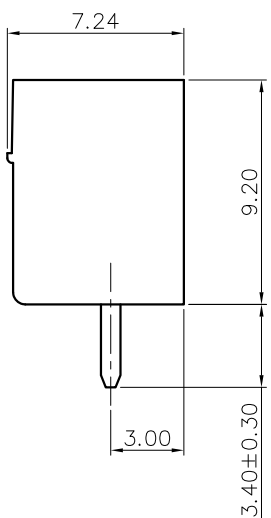
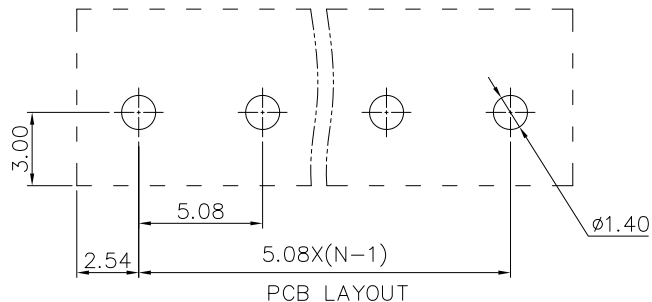
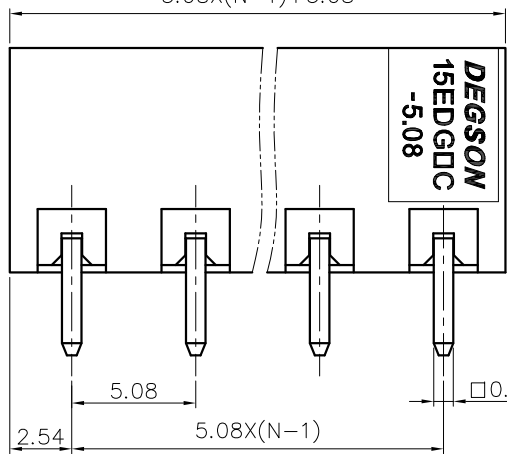
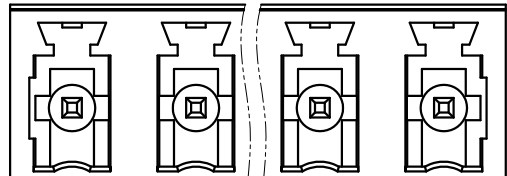
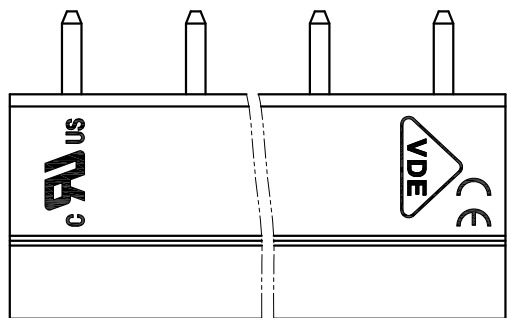


REVISION RECORD				
REV	ECN	DESCRIPTION	DRFT	DATE



NOTES1:
 UL Standard
 1. Rated Voltage/Current : 300V / 8A
 2. Withstanding Voltage : AC1600V/1Min.

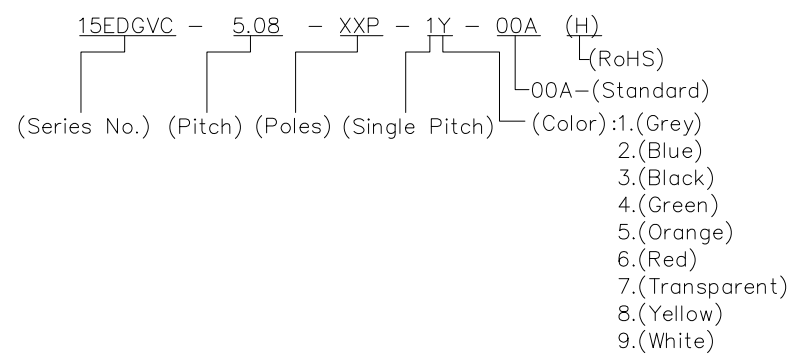
IEC Standard

1. Pollution Degree	2
Overvoltage Category	II
Rate Impulse Voltage(kV)	4.0kV
Rate Voltage(V)	450V
Rate Current(A)	7A

NOTES2:
 1. Dimension shall be interpreted per ASME Y14.5-2009
 2. Pitch : 5.08mm, Poles : N=02~12P
 3. Operating temperature: -40°C~+105°C
 4. Undimensioned Tolerances:

Pitch Range In mm		Nominal Dimension Range In mm						0.1/10
TO	Over TO	Over TO	Over TO	Over TO	Over TO	Over TO		
6	6 TO 10	10 TO 24	30 TO 60	60 TO 100	100 TO 150	150	±2'	
±0.15	±0.20	±0.30	±0.30	±0.50	±0.70	±1.00	±1.30	

5. RoHS Compliance



DETACHED LISTS	PART NO.:	宁波高松电子有限公司 NINGBO DEGSON ELECTRICAL CO., LTD			
	APPD:	NAME: 15EDGVC-5.08-XXP-1Y-00A(H)			
	CHKD:	TITLE: CUSTOMER DRAWING			
	DRFT:	DRAWING NO.:		REV	DO
	THIRD ANGLE PROJECTION		MM (INCH)	DO NOT SCALE DRAWING	SCALE 1:1