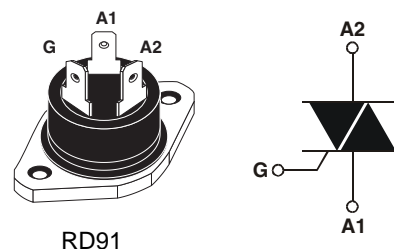


FEATURES

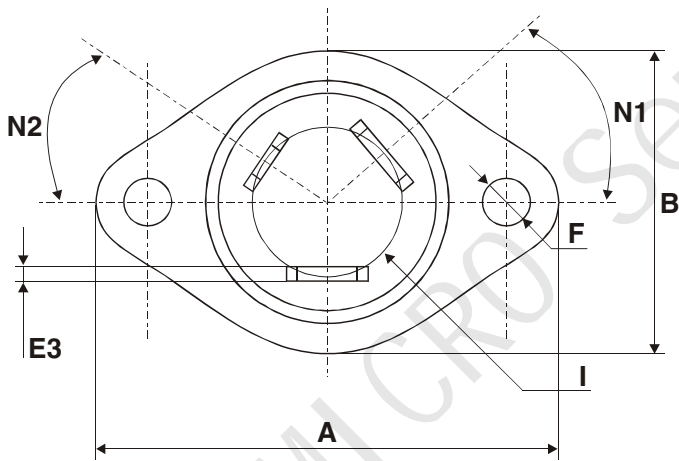
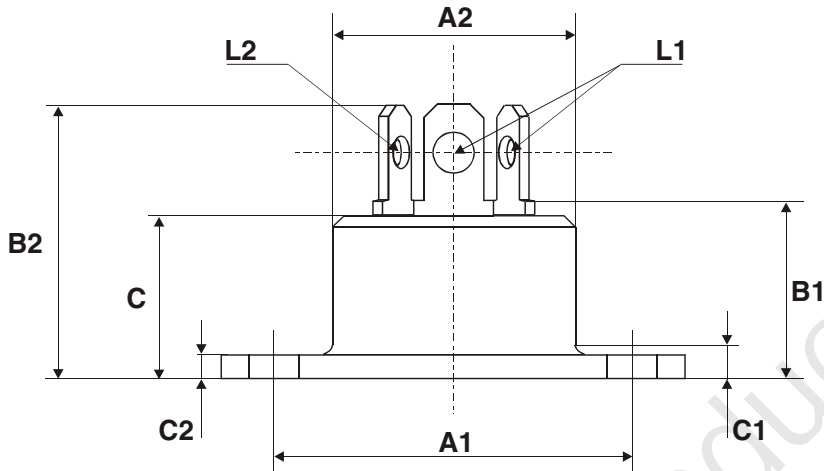
- Suitable for general purpose AC switching. They can be used as an ON/OFF function in applications such as static relays, heating regulation, Induction motor starting circuits.
- Minimum Lot-to-Lot variations for robust device performance and reliable operation


ABSOLUTE MAXIMUM RATINGS (Ta=25°C)

SYMBOL	PARAMETER	MIN	UNIT
V _{DRM}	Repetitive peak off-state voltage	800	V
V _{RRM}	Repetitive peak reverse voltage	800	V
I _{T(RMS)}	RMS on-state current (full sine wave) T _j =95°C	40	A
I _{TSM}	Non-repetitive peak on-state current t _p =20ms	400	A
T _j	Operating junction temperature	-40~125	°C
T _{stg}	Storage temperature	-40~150	°C
P _{G(AV)}	Average gate power dissipation (T _j =125°C)	1	W
R _{th(j-c)}	Thermal resistance, junction to case	0.9	°C/W

ELECTRICAL CHARACTERISTICS (T_C=25°C unless otherwise specified)

SYMBOL	PARAMETER	CONDITIONS	B	C	UNIT	
I _{RRM}	Repetitive peak reverse current	V _R =V _{RRM} , V _R =V _{RRM} , T _j =125°C	0.01 2.0	0.01 2.0	mA	
I _{DRM}	Repetitive peak off-state current	V _D =V _{DRM} , V _D =V _{DRM} , T _j =125°C	0.01 2.0	0.01 2.0	mA	
I _{GT}	Gate trigger current	V _D =12V; R _L = 100 Ω	I	50	25	mA
			II	50	25	
			III	50	25	
			IV	100	50	
I _H	Holding current	I _{GT} = 0.5A, Gate Open	60	35	mA	
V _{GT}	Gate trigger voltage all quadrant	V _D =12V; R _L = 100 Ω	1.5		V	
V _{TM}	On-state voltage	I _T = 60A; t _p = 380 μs	1.55		V	

TO-220AB PACKAGE OUTLINE DIMENSIONS


REF.	DIMENSIONS			
	Millimeters		Inches	
	Min.	Max.	Min.	Max.
A		40.00		1.575
A1	29.90	30.30	1.177	1.193
A2		22.00		0.867
B		27.00		1.063
B1	13.50	16.50	0.531	0.650
B2		24.00		0.945
C		14.00		0.551
C1		3.50		0.138
C2	1.95	3.00	0.077	0.118
E3	0.70	0.90	0.027	0.035
F	4.00	4.50	0.157	0.177
I	11.20	13.60	0.441	0.535
L1	3.10	3.50	0.122	0.138
L2	1.70	1.90	0.067	0.075
N1	33°	43°	33°	43°
N2	28°	38°	28°	38°