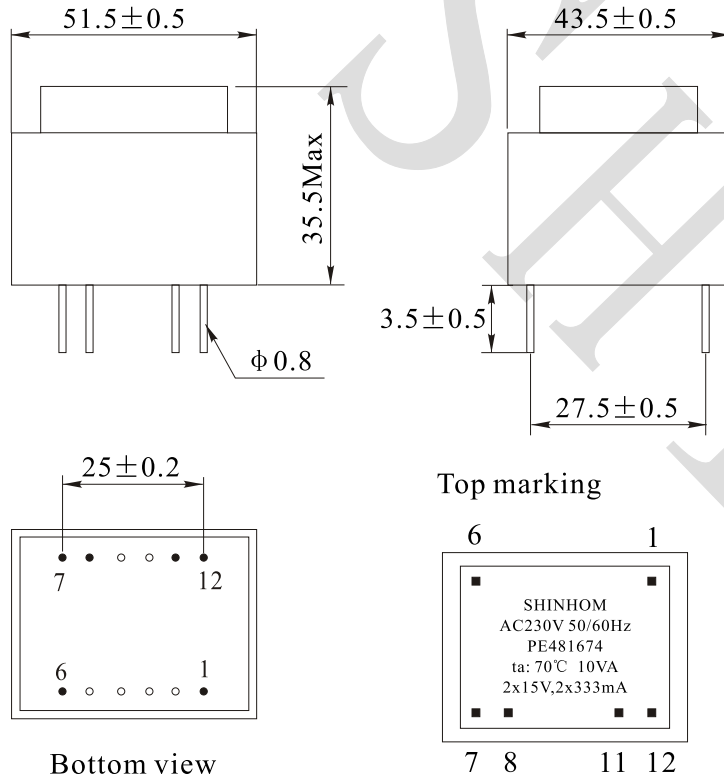
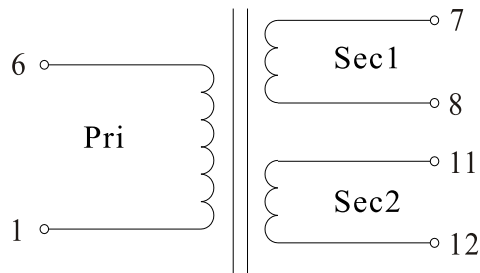


| Rev. | Description | Date       |
|------|-------------|------------|
| A0   | New release | 2022.11.17 |
|      |             |            |
|      |             |            |
|      |             |            |

### 1. PHYSICAL CHARACTERISTICS (mm)



### 2. ELECTRONICAL SCHEMATIC



### 3. ELECTRONICAL SPECIFICATIONS

Pri voltage: 230V, 50Hz

Load voltage: Sec1: 15.0V ± 5% V @ 333mA  
Sec2: 15.0V ± 5% V @ 333mA

No-load voltage: Sec1: 18.5V ± 5%  
Sec2: 18.5V ± 5%

Output Power: 10VA

Hi-Pot: 4000V, 50Hz, 1mA, 10S Pri to Sec

#### Note:

- Solderability: leads shall meet MIL-STD-202, Method 208D for solderability.
- Flammability: UL94V-0
- ASTM oxygen index: >28%

|               |                     |            |            |
|---------------|---------------------|------------|------------|
| NAME:         | Potting Transformer |            |            |
| CUSTOMER P/N: | BV EI481 1324       | DATE:      | 2022-11-17 |
| SHINHOM P/N:  | PE481674            | REV: A0    | PAGE       |
| DRAWN BY      | CHECKED BY          | APPROVE BY |            |



**SHINHOM**  
SHAANXISHINHOM ENTERPRISE CO LTD

The Document property belongs to SHINHOM & is not allowed to be duplicated without authorization