

Stacked coin Type

Series: SG

- Feature Endurance : 70°C 1000 h
Maximum height of 6 mm (H Terminal)

Japan

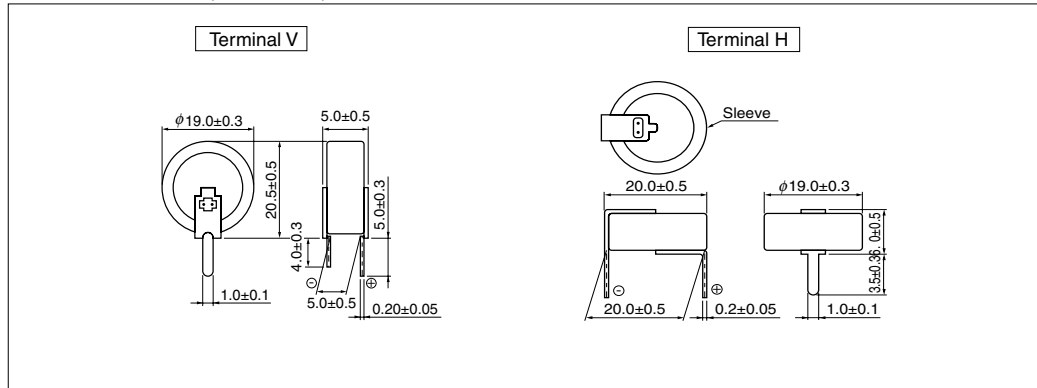


- Recommended Applications
Memory back-up for Video, Audio, Cameras, Telephones, Printer, Data terminal, Rice cooker and Intelligent remote controller

Specifications

Category temp. range	-25 to +70°C	
Maximum Operating Voltage	5.5 V .DC	
Nominal Cap. Range	0.47 to 1.5 F	
Characteristics at Low Temperature	Capacitance change	±30% of initial measured value at +20°C (-25 to +70°C)
	Internal resistance	≤ 5 times of initial measured value at +20°C (at -25°C)
Endurance	After 1000 hours application of 5.5V. DC at +70°C, the capacitor shall meet the following limits.	
	Capacitance change	±30% of initial measured value
	Internal resistance	≤ 4 times of initial specified value
Shelf Life	After 1000 hours storage at +70°C without load, the capacitor shall meet the specified limits for "Endurance".	
Moisture Resistance	After 500 hours storage at +55°C, 90 to 95% R.H., the capacitor shall meet the specified limits for "Endurance".	

Dimensions in mm (not to scale)



Standard products

Maximum Operating Voltage	Capacitance (F)	Capacitance range (F)	internal resistance (Ω) at 1kHz	Part number	Min. Packaging QTY (Bulk) (PCS)
5.5	0.47	0.0376 to 1.175	≤ 30	EECS5R5()474	100
	1.0	0.80 to 1.180	≤ 30	EECS5R5()105	100
	1.5	1.20 to 2.70	≤ 30	EECS5R5()155	100

() Please fill with V or H, which means terminal style.