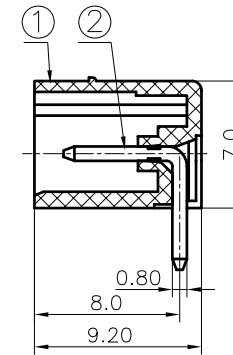
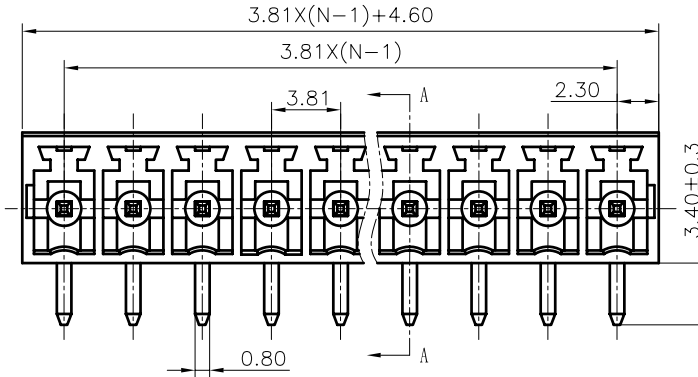
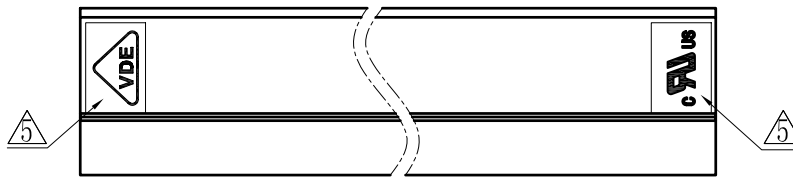
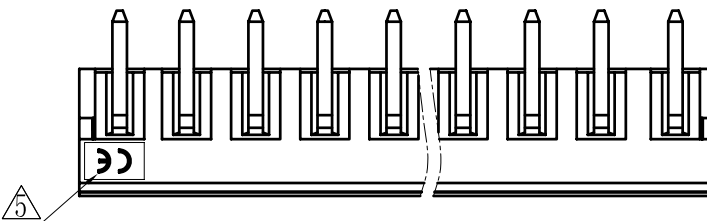
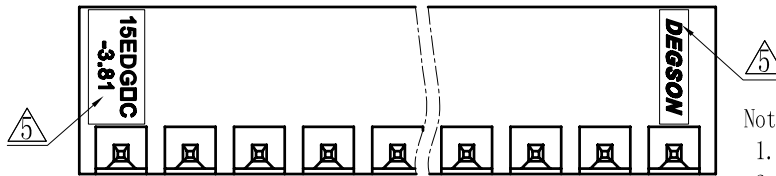


REVISION RECORD				
REV	ECO	DESCRIPTION	DRFT	DATE
①		去掉UL中的小“R”字	CSX	09/17/07
②		更新图面	LJH	03/01/08
③		老模新开更改刻字	WLM	07/12/08
④		增加自动化方针	WLM	10/31/08
⑤		增加VDE, CE刻字及修改刻字	Zengy	12/26/08
⑥		工程变更2-6P取消卡槽	XGF	04/11/09



SECTION A-A



Notes:

1. Pitch: 3.81mm, Poles: 2-24P
2. Rated voltage/current: UL 300V/8A
VDE 250V/7A
3. Operation temperatures: -40°C ~ +105°C
4. Withstanding Voltage: AC2000V/1Min
5. Insulation Resistance: 5000MΩ/DC1000V
6. Undimensioned Tolerances:

Pitch range in mm		Nominal dimension range in mm						
to	over	to	over	over	over			
6	10	30	60	100	150			
±0.10	±0.15	±0.25	±0.2	±0.3	±0.5	±0.7	±1.0	0.05/10

2	15EDGRC-Pin header	④1003B00040 (H)	XX	Brass	Automatic assembly
2	15EDGRC-Pin header	1003B00010 (H)	XX	Brass	Manual assembly

ITEM	NAME OF PART	NO. OF PART	Q"TY	MATERIAL	NOTES												
1	15EDGRC-3.81-Housing	1003A0VXXA (H)	1	PA66	UL94V-0												
<table border="1"> <tr> <td>← MM (INCH) →</td> <td>DFTO LIN</td> <td>DATE 05/19/06*</td> </tr> <tr> <td>TOLERANCES EXCEPT AS NOTED</td> <td>CHKD</td> <td>DATE</td> </tr> <tr> <td></td> <td>MFO</td> <td>DATE</td> </tr> <tr> <td></td> <td>APPVL</td> <td>DATE</td> </tr> </table>		← MM (INCH) →	DFTO LIN	DATE 05/19/06*	TOLERANCES EXCEPT AS NOTED	CHKD	DATE		MFO	DATE		APPVL	DATE	<p style="text-align: center;">DEGSON® 宁波高正电子有限公司 DEGSON ELECTRONICS CO., LTD</p>			
← MM (INCH) →	DFTO LIN	DATE 05/19/06*															
TOLERANCES EXCEPT AS NOTED	CHKD	DATE															
	MFO	DATE															
	APPVL	DATE															
DETACHED LISTS		NAME: 15EDGRC-3.81-XXP-1Y-00A(H)															
ANGLES ± 1'		DRAWING NO. 15EDGRC-3.81-E02															
THIRD ANGLE PROJECTION		FINISH: /PART NO.															
		SCALE: 1:1															
		DO NOT SCALE DRAWING															
		SHEET 1 OF 1															