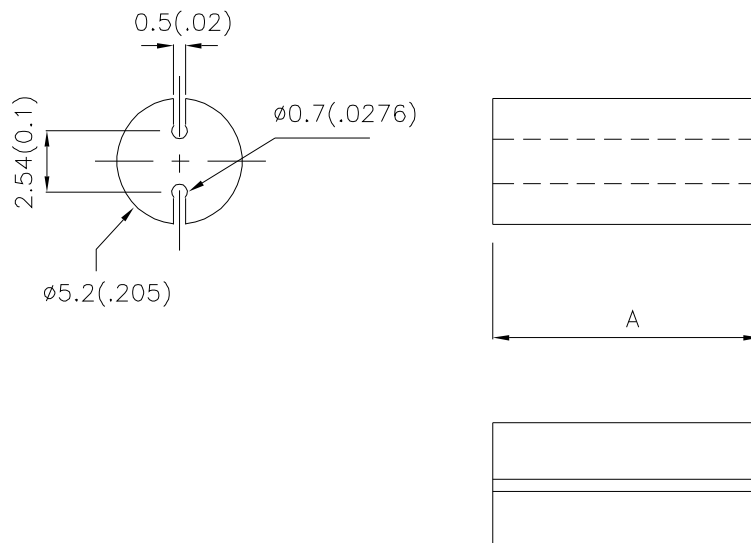


BR-A

Features

- LED FIRMLY HELD BY SPACER.
- SUITABLE FOR BACK PANEL ILLUMINATION, CIRCUIT BOARD INDICATOR, LED INDICATOR.
- UL RATING : 94V-0.
- HOUSING MATERIAL: TYPE 66 NYLON.
- RoHS COMPLIANT.

Package Dimensions



PART NO.	BR-4.3	BR-4.83	BR-5.08	BR-5.85	BR-6.35	BR-7.25	BR-7.62	BR-7.7	BR-8.24
A	4.3	4.83	5.08	5.85	6.35	7.25	7.62	7.7	8.24

PART NO.	BR-8.7	BR-9.52	BR-9.85	BR-10.7	BR-12.7	BR-17.8	BR-18.59	BR-19.86	BR-23.5
A	8.7	9.52	9.85	10.7	12.7	17.8	18.59	19.86	23.5

Notes:

1. All dimensions are in millimeters (inches).
2. Tolerance is $\pm 0.25(0.01)$ unless otherwise noted.
3. Specifications are subject to change without notice.