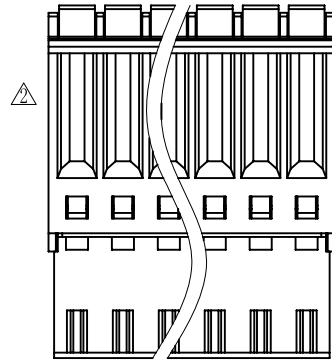
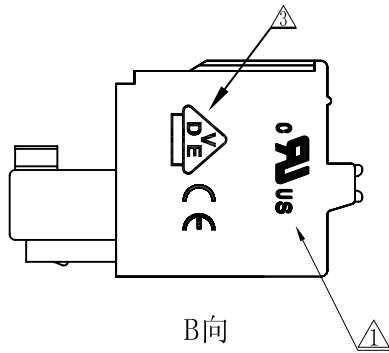
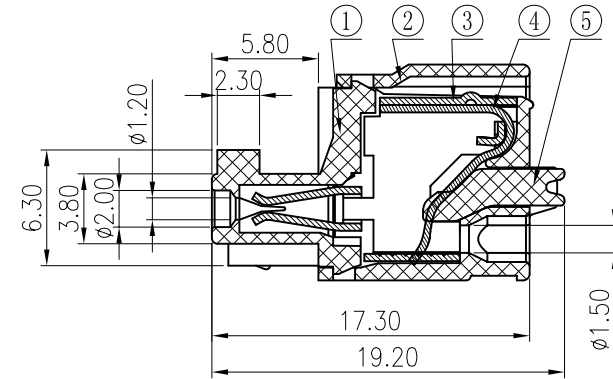
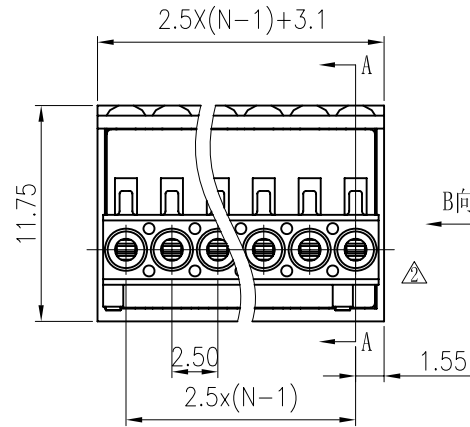
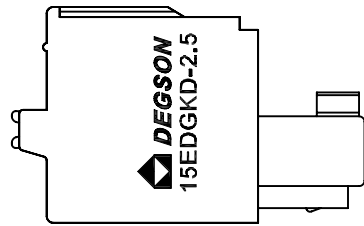


REVISION RECORD					
REV	ECN	DESCRIPTION	DRFT	DATE	
△	10-0070	增加UL刻字及参数	GHY	04/08/10	
△	10-0287	修改外观	Jinhai.Lan	08/31/10	
△	10-0321	增加VDE刻字及修改参数	ZXX	09/28/10	

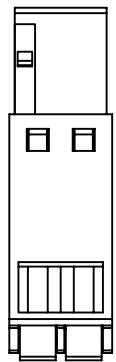


- Notes:
- Pitch:2.5, Poles:2-12P
 - Rated voltage/Current:UL 150V 4A △
VDE 250V 5A △
 - Operation temperatures:-40℃~+105℃
 - Rated impulse voltage: 1.5KV
 - Withstanding Voltage:AC1500V/1min
 - Insulation Resistance:5000MΩ/DC1000V
 - Wier Range:26-20AWG, 0.2-0.5mm² △
 - Undimensioned Tolerances:

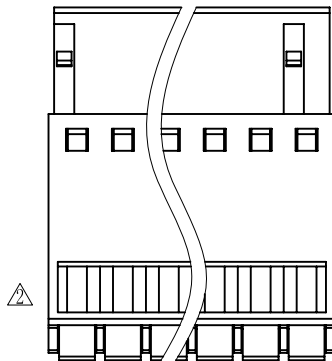
Pitch range in mm		Nominal dimension range in mm					—	
to	over	over	over	over	over	—		
6	6 to 10	10 to 24	30 to 30	60 to 60	100 to 150	150		
±0.10	±0.15	±0.25	±0.2	±0.3	±0.5	±0.7	±1.0	0.05/0.10



SECTION A-A



02P



ITEM	NAME OF PART	NO. OF PART	Q'TY	MATERIAL	NOTES
5	15EDGKD-2.5 Button	1100D05XXC (H)	XX	POM	UL94HB
4	15EDGKD-2.5 Spring	X000003900 (H)	XX	Stainless steel	
3	15EDGKD-2.5 Clamp	1100B00010 (H)	XX	Phosphor bronze	Snce
2	15EDGKD-2.5 Housing	1100A0YXXA (H)	1	PA66	UL94V-0
1	15EDGKD-2.5 Cover	1100C0YXXA (H)	1	PA66	UL94V-0

DETACHED LISTS	MM (INCH)	DFTO L/N	DATE 10/20/08	宁波高正电子有限公司 DEGSON ELECTRONICS CO., LTD	
	TOLERANCES EXCEPT AS NOTED	CHKD	DATE		
		MFD	DATE		
		APPVL	DATE		
	MM	±		NAME	
	.0 ±	±		15EDGKD-2.5-XXP-1Y-00A (H)	
	.00 ±	±		DRAWING NO. 15EDGKD-2.5-E01	
	.000 ±	±		/PART NO.	
	ANGLES ± 1°	G.E :		SIZE	REV
		FINISH:		A4	T3
	THIRD ANGLE PROJECTION	SCALE : 1:1		09/28/10	
		DO NOT SCALE DRAWING		SHEET 1	OF 1