



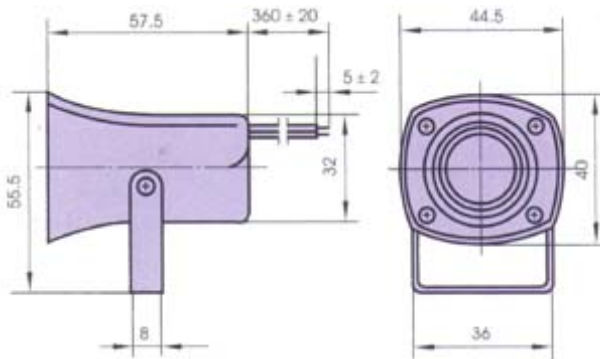
- **W-12B₁, W-12B₂, W-24B**



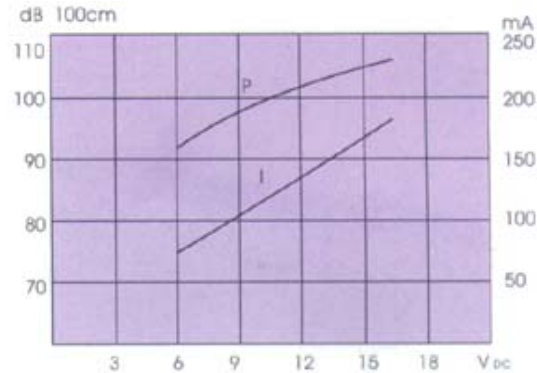
FEATURES:

- High Output
- High reliability

DIMENSIONS: (Unit: mm)



CHARACTERISTICS:



ELECTRICAL SPECIFICATIONS :

Model No.	W-12B ₁	W-12B ₂	W-24B
Min. Sound Pressure Level (dB)	100 /12V _{DC} /100cm	105 /12V _{DC} /100cm	100 /24V _{DC} /100cm
Rated Voltage (V _{DC})	12	12	24
Operating Voltage (V _{DC})	6 ~ 16	6 ~ 16	12 ~ 28
Max. Consumption (mA)	250 /12 V _{DC}	250/12 V _{DC}	150/ 24 V _{DC}
Tone Nature	Siren		
Operating Temperature (°C)	-20 ~ +70		
Weight (g)	70	70	60
Case Material/Colour	ABS/Black		

PACKING INFORMATION :

Packing :	120 pcs per export carton		
Carton Size :	47 X 30.5 X 21 cm		
G. Weight :	9.5 kgs	9.5 kgs	8.7 kgs
N. Weight :	8.0 kgs	8.0 kgs	7.2 kgs