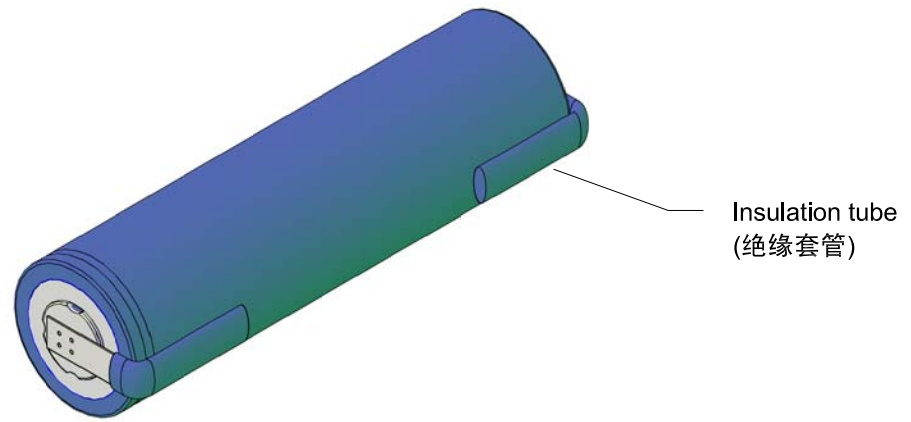


Remark(备注):

1. Cell(电芯): 3.7V 2200mAh.Blue PVC,with date code(包蓝色PVC, 表面喷码)
2. Cathode/Anode tab: Stainless steel plated with nickel
正/负极焊片材质: 不锈钢镀镍
3. RoHS Compliant
严格按照ROHS要求生产



		Drawn:	Moyongdi	Revise No.:	E4-2009
		Checked 1:	Jane	Projection:	
		Checked 2:	Keyan	Page:	1/1
Title	LIR18650-FT	Approved:		Scale:	1 : 1.5
File NO.	A01399	Draw Date:	09/12/28	Unit:	mm