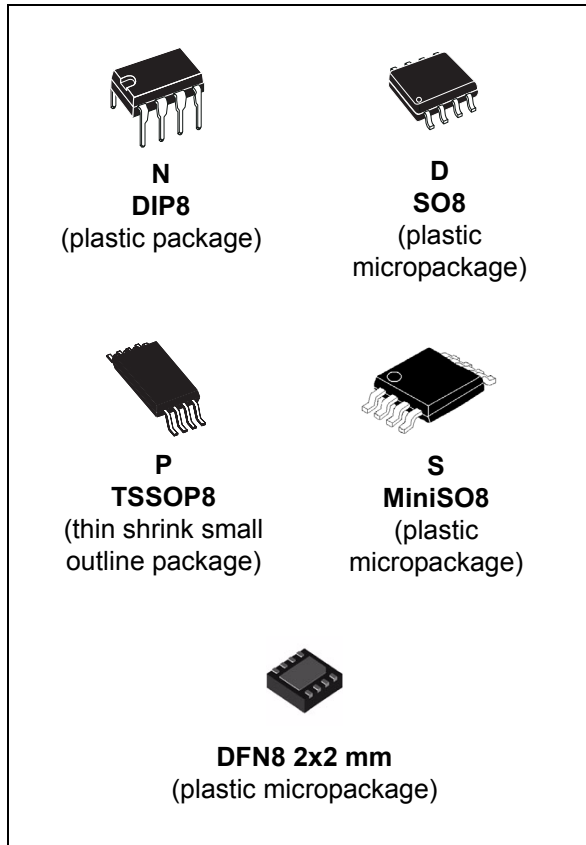


## Low-power dual voltage comparator

Datasheet - production data



- TTL, DTL, ECL, MOS, CMOS compatible outputs
- Automotive qualification

### Related products

- See LM2903W for similar device with higher ESD performances
- See LM2903H for similar device with operating temperature up to 150 °C

### Description

This device consists of two independent low-power voltage comparators designed specifically to operate from a single supply over a wide range of voltages. Operation from split power supplies is also possible.

In addition, the device has a unique characteristic in that the input common-mode voltage range includes the negative rail even though operated from a single power supply voltage.

### Features

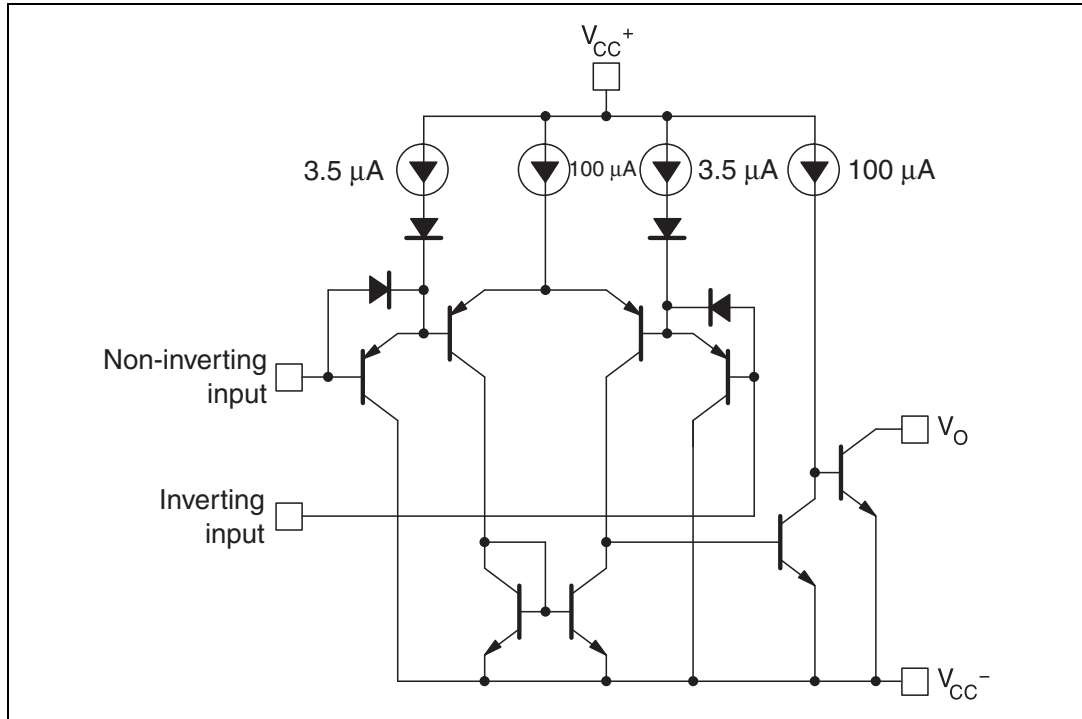
- Wide single supply voltage range or dual supplies +2 V to +36 V or  $\pm 1$  V to  $\pm 18$  V
- Very low supply current (0.4 mA) independent of supply voltage (1 mW/comparator at +5 V)
- Low input bias current: 25 nA typ.
- Low input offset current:  $\pm 5$  nA typ.
- Input common-mode voltage range includes negative rail
- Low output saturation voltage: 250 mV typ. ( $I_O = 4$  mA)
- Differential input voltage range equal to the supply voltage

# Contents

<b>1</b>	<b>Schematic diagram</b> .....	<b>3</b>
<b>2</b>	<b>Package pin connections</b> .....	<b>3</b>
<b>3</b>	<b>Absolute maximum ratings and operating conditions</b> .....	<b>4</b>
<b>4</b>	<b>Electrical characteristics</b> .....	<b>5</b>
<b>5</b>	<b>Typical application schematics</b> .....	<b>7</b>
<b>6</b>	<b>Package information</b> .....	<b>10</b>
6.1	DIP8 package information .....	11
6.2	SO8 package information .....	12
6.3	TSSOP8 package information .....	13
6.4	MiniSO8 package information .....	14
6.5	DFN8 2x2 package mechanical data .....	15
<b>7</b>	<b>Ordering information</b> .....	<b>17</b>
<b>8</b>	<b>Revision history</b> .....	<b>18</b>

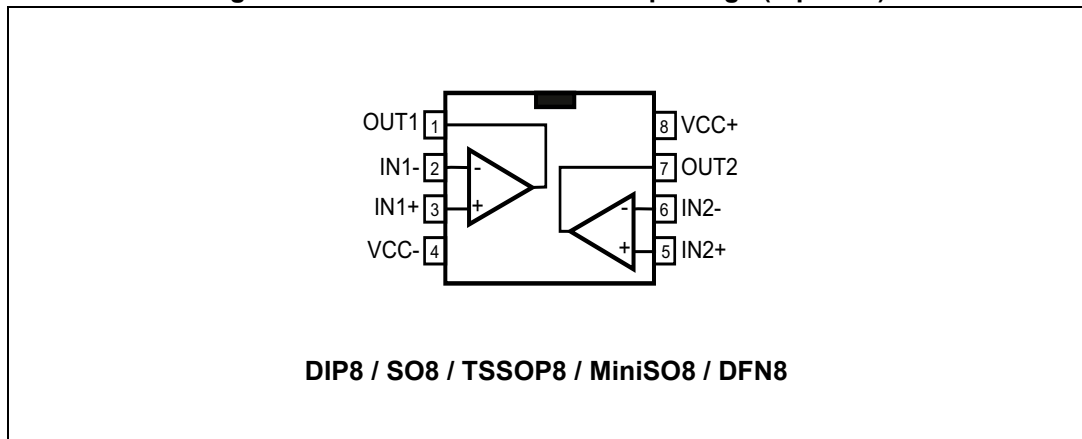
# 1 Schematic diagram

Figure 1. Schematic diagram (1/2 LM2903)



# 2 Package pin connections

Figure 2. Pin connections for each package (top view)



### 3 Absolute maximum ratings and operating conditions

**Table 1. Absolute maximum ratings**

Symbol	Parameter	Value	Unit
$V_{CC}$	Supply voltage	$\pm 18$ or 36	V
$V_{id}$	Differential input voltage	$\pm 36$	
$V_{in}$	Input voltage	-0.3 to +36	
	Output short-circuit to ground <sup>(1)</sup>	Infinite	
$R_{thja}$	Thermal resistance junction to ambient <sup>(2)</sup>		°C/W
	DIP8	85	
	SO8	125	
	TSSOP8	120	
	MiniSO8	190	
$R_{thjc}$	Thermal resistance junction to case <sup>(2)</sup>		°C/W
	DIP8	41	
	SO8	40	
	TSSOP8	37	
	MiniSO8	39	
$T_j$	Maximum junction temperature	+150	°C
$T_{stg}$	Storage temperature range	-65 to +150	
ESD	Human body model (HBM) <sup>(3)</sup>	800	V
	Machine model (MM) <sup>(4)</sup>	200	
	CDM: charged device model (all packages except MiniSO8) <sup>(5)</sup>	1.5	kV
	CDM: charged device model (MiniSO8)	1.3	

- Short-circuits from the output to  $V_{CC}^+$  can cause excessive heating and possible destruction. The maximum output current is approximately 20 mA, independent of the magnitude of  $V_{CC}^+$ .
- Short-circuits can cause excessive heating and destructive dissipation. Values are typical.
- Human body model: a 100 pF capacitor is charged to the specified voltage, then discharged through a 1.5 kΩ resistor between two pins of the device. This is done for all couples of connected pin combinations while the other pins are floating.
- Machine model: a 200 pF capacitor is charged to the specified voltage, then discharged directly between two pins of the device with no external series resistor (internal resistor < 5 Ω). This is done for all couples of connected pin combinations while the other pins are floating.
- Charged device model: all pins and the package are charged together to the specified voltage and then discharged directly to the ground through only one pin. This is done for all pins.

**Table 2. Operating conditions**

Symbol	Parameter	Value	Unit
$V_{icm}$	Common mode input voltage range $T_{min} \leq T_{amb} \leq T_{max}$	0 to $V_{CC}^+ - 1.5$ 0 to $V_{CC}^+ - 2$	V
$T_{oper}$	Operating free-air temperature range	-40 to +125	°C

## 4 Electrical characteristics

**Table 3.  $V_{CC}^+ = 5\text{ V}$ ,  $V_{CC}^- = \text{GND}$ ,  $T_{\text{amb}} = 25^\circ\text{C}$  (unless otherwise specified)**

Symbol	Parameter	Min.	Typ.	Max.	Unit
$V_{\text{io}}$	Input offset voltage <sup>(1)</sup> $T_{\text{min}} \leq T_{\text{amb}} \leq T_{\text{max}}$		1	7 15	mV
$I_{\text{io}}$	Input offset current $T_{\text{min}} \leq T_{\text{amb}} \leq T_{\text{max}}$		5	50 150	nA
$I_{\text{ib}}$	Input bias current <sup>(2)</sup> $T_{\text{min}} \leq T_{\text{amb}} \leq T_{\text{max}}$		25	250 400	
$A_{\text{vd}}$	Large signal voltage gain $V_{\text{CC}} = 15\text{ V}$ , $R_{\text{L}} = 15\text{ k}\Omega$ , $V_{\text{o}} = 1\text{ to }11\text{ V}$	25	200		V/mV
$I_{\text{CC}}$	Supply current (all comparators) $V_{\text{CC}} = 5\text{ V}$ , no load $V_{\text{CC}} = 30\text{ V}$ , no load		0.4 1	1 2.5	mA
$V_{\text{id}}$	Differential input voltage <sup>(3)</sup>			$V_{\text{CC}}^+$	V
$V_{\text{OL}}$	Low level output voltage ( $V_{\text{id}} = -1\text{ V}$ , $I_{\text{sink}} = 4\text{ mA}$ ) $T_{\text{min}} \leq T_{\text{amb}} \leq T_{\text{max}}$		250	400 700	mV
$I_{\text{OH}}$	High level output current ( $V_{\text{CC}} = V_{\text{o}} = 30\text{ V}$ , $V_{\text{id}} = 1\text{ V}$ ) $T_{\text{min}} \leq T_{\text{amb}} \leq T_{\text{max}}$		0.1	1	nA $\mu\text{A}$
$I_{\text{sink}}$	Output sink current ( $V_{\text{id}} = -1\text{ V}$ , $V_{\text{o}} = 1.5\text{ V}$ )	6	16		mA
$t_{\text{res}}$	Small signal response time <sup>(4)</sup> ( $R_{\text{L}} = 5.1\text{ k}\Omega$ to $V_{\text{CC}}^+$ )		1.3		$\mu\text{s}$
$t_{\text{rel}}$	Large signal response time <sup>(5)</sup> TTL input ( $V_{\text{ref}} = +1.4\text{ V}$ , $R_{\text{L}} = 5.1\text{ k}\Omega$ to $V_{\text{CC}}^+$ ) Output signal at 50 % of final value Output signal at 95 % of final value			500 1	ns $\mu\text{s}$

1. At output switch point,  $V_{\text{o}} \approx 1.4\text{ V}$ ,  $R_{\text{S}} = 0\ \Omega$  with  $V_{\text{CC}}^+$  from 5 V to 30 V, and over the full input common-mode range (0 V to  $V_{\text{CC}}^+ - 1.5\text{ V}$ ).
2. The direction of the input current is out of the IC due to the PNP input stage. This current is essentially constant, independent of the state of the output, so no loading charge exists on the reference of input lines.
3. Positive excursions of input voltage may exceed the power supply level. As long as the other voltage remains within the common-mode range, the comparator provides a proper output state. The low input voltage state must not be less than  $-0.3\text{ V}$  (or  $0.3\text{ V}$  below the negative power supply, if used).
4. The response time specified is for a 100 mV input step with 5 mV overdrive.
5. Maximum values are guaranteed by design and evaluation.

Figure 3. Supply current vs. supply voltage

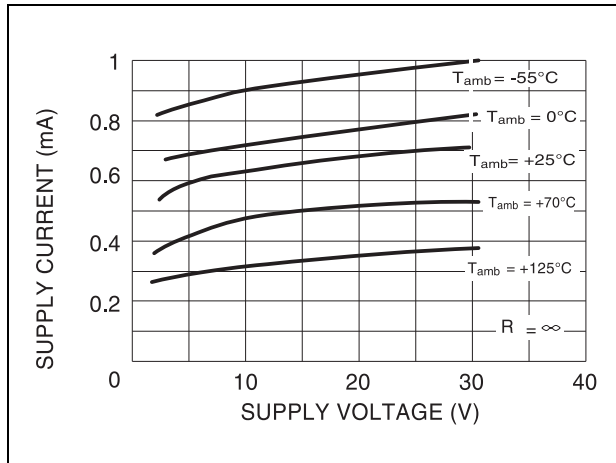


Figure 4. Input current vs. supply voltage

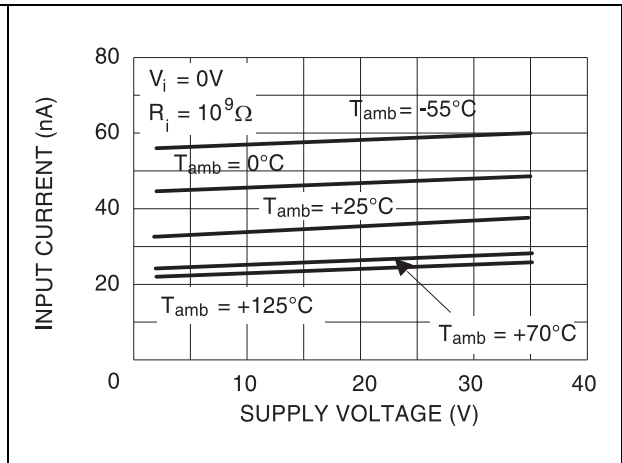


Figure 5. Output saturation voltage vs. output current

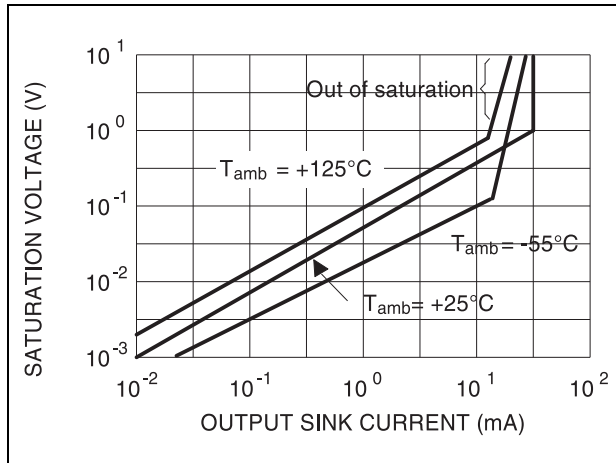


Figure 6. Response time for various input overdrives - negative transition

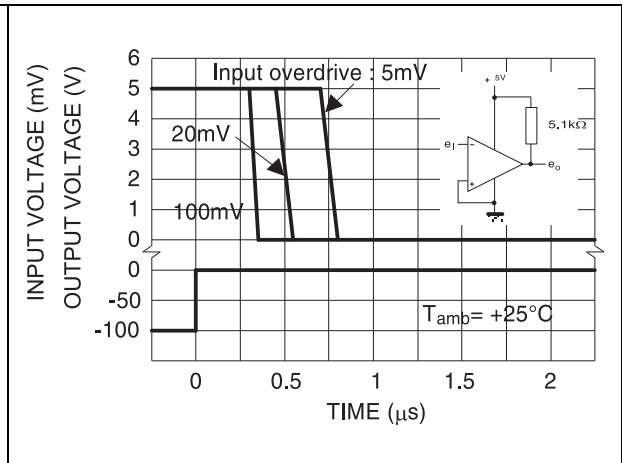
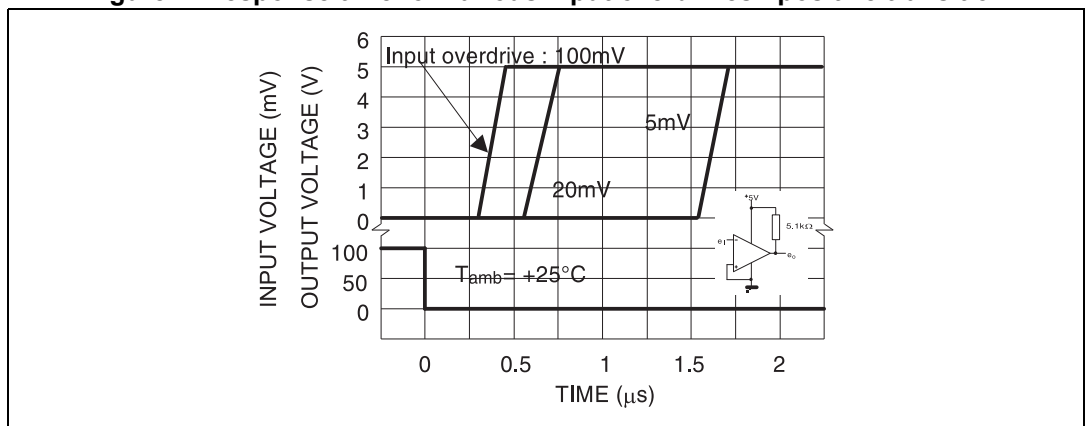


Figure 7. Response time for various input overdrives - positive transition



# 5 Typical application schematics

Figure 8. Basic comparator

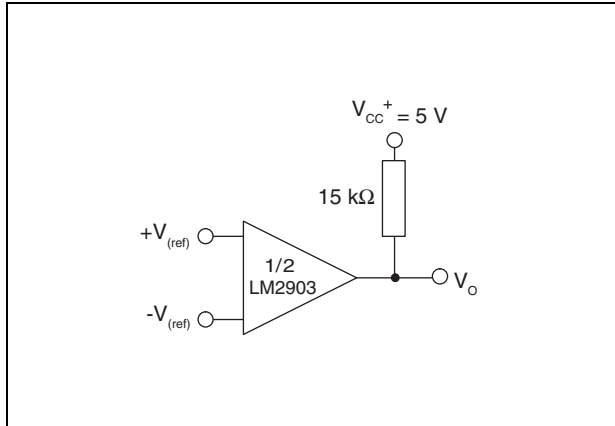


Figure 9. Driving CMOS

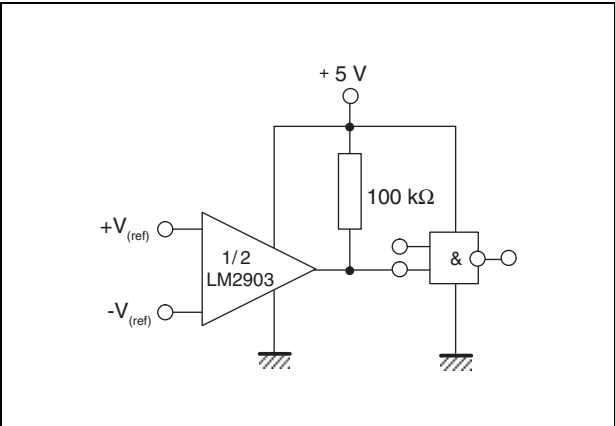


Figure 10. Driving TTL

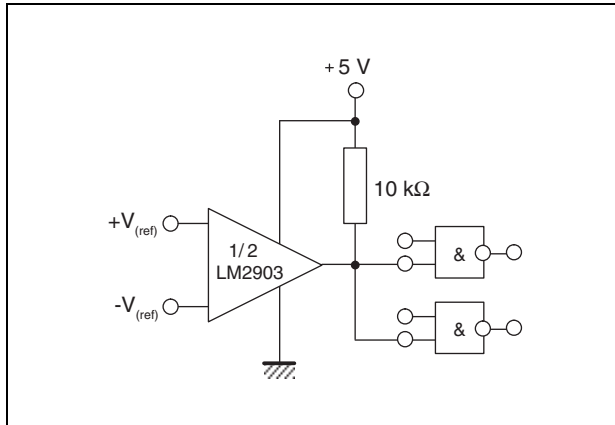


Figure 11. Low frequency op-amp

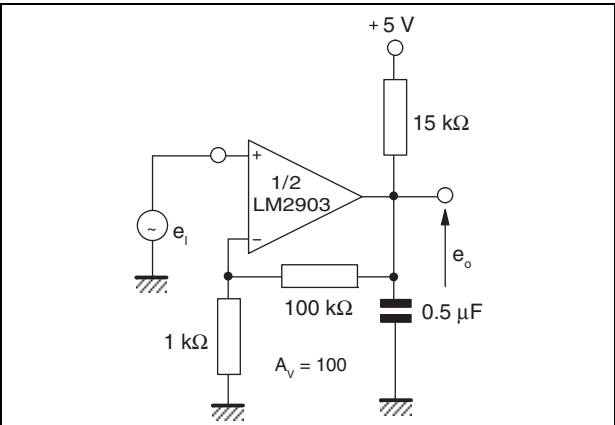


Figure 12. Low frequency op-amp with boost

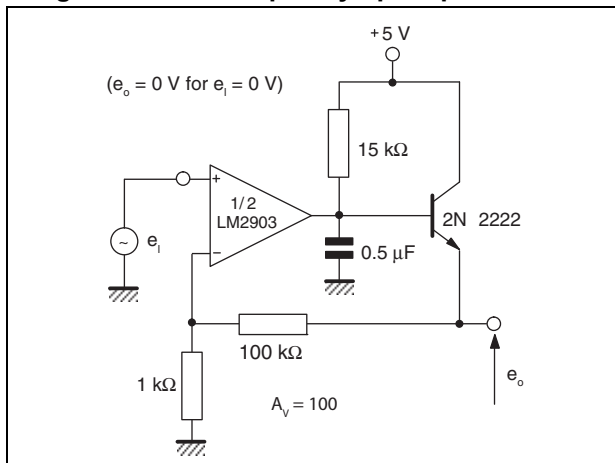


Figure 13. Transducer amplifier

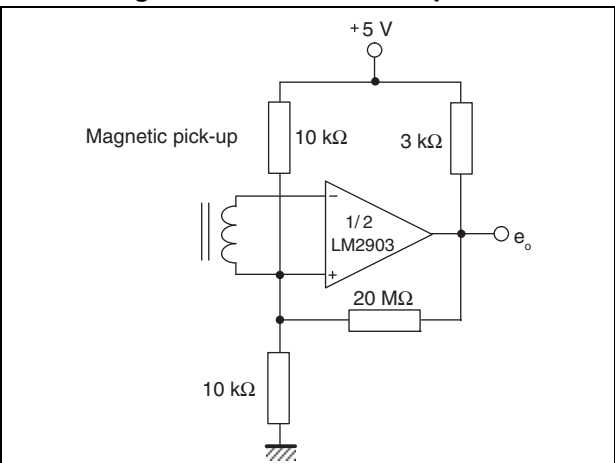


Figure 14. Low frequency op- amp with offset adjust

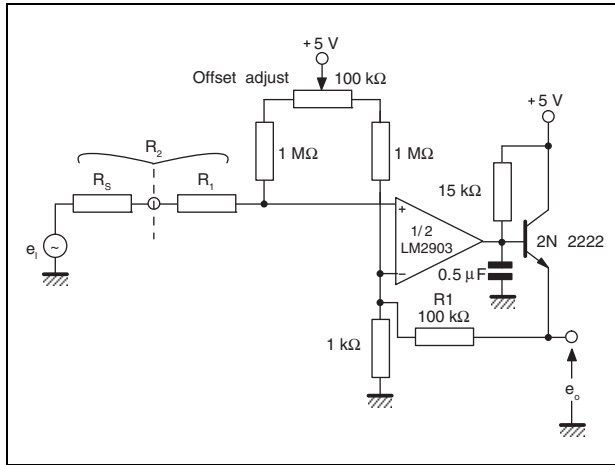


Figure 15. Zero crossing detector (single power supply)

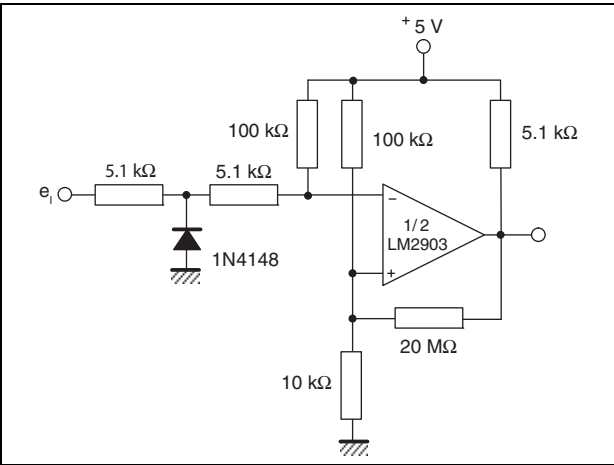


Figure 16. Limit comparator

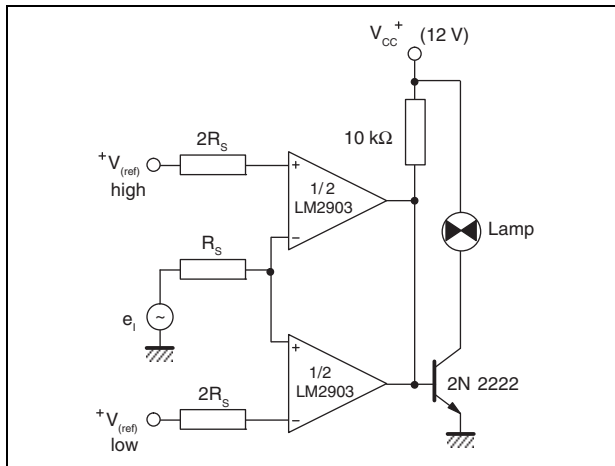


Figure 17. Split-supply applications - zero crossing detector

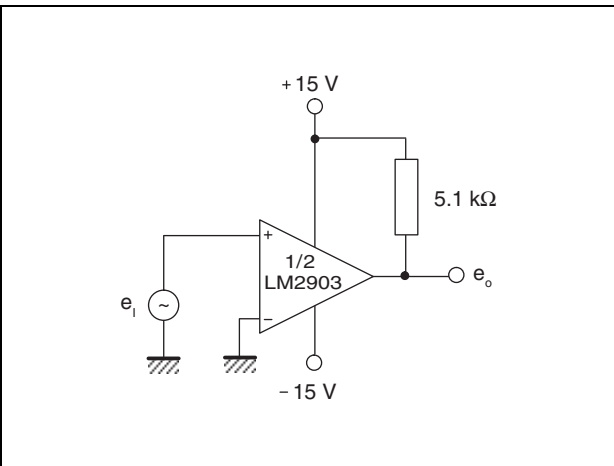


Figure 18. Crystal controlled oscillator

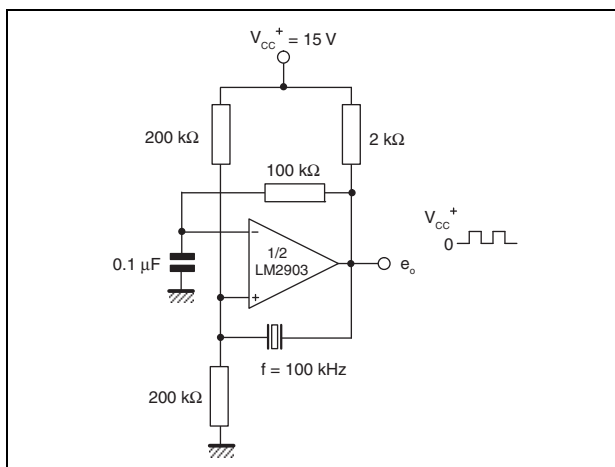


Figure 19. Comparator with a negative reference

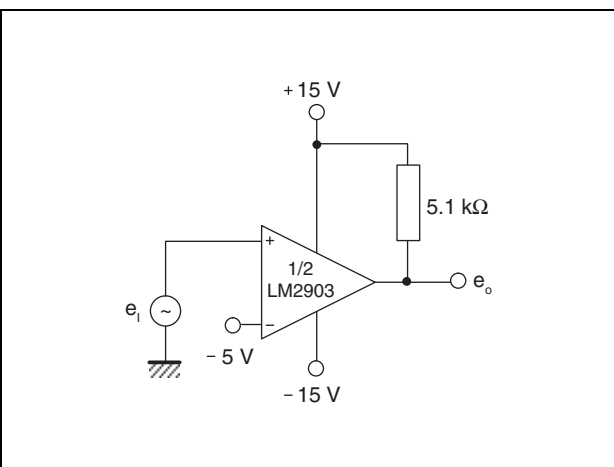




Figure 20. Time delay generator

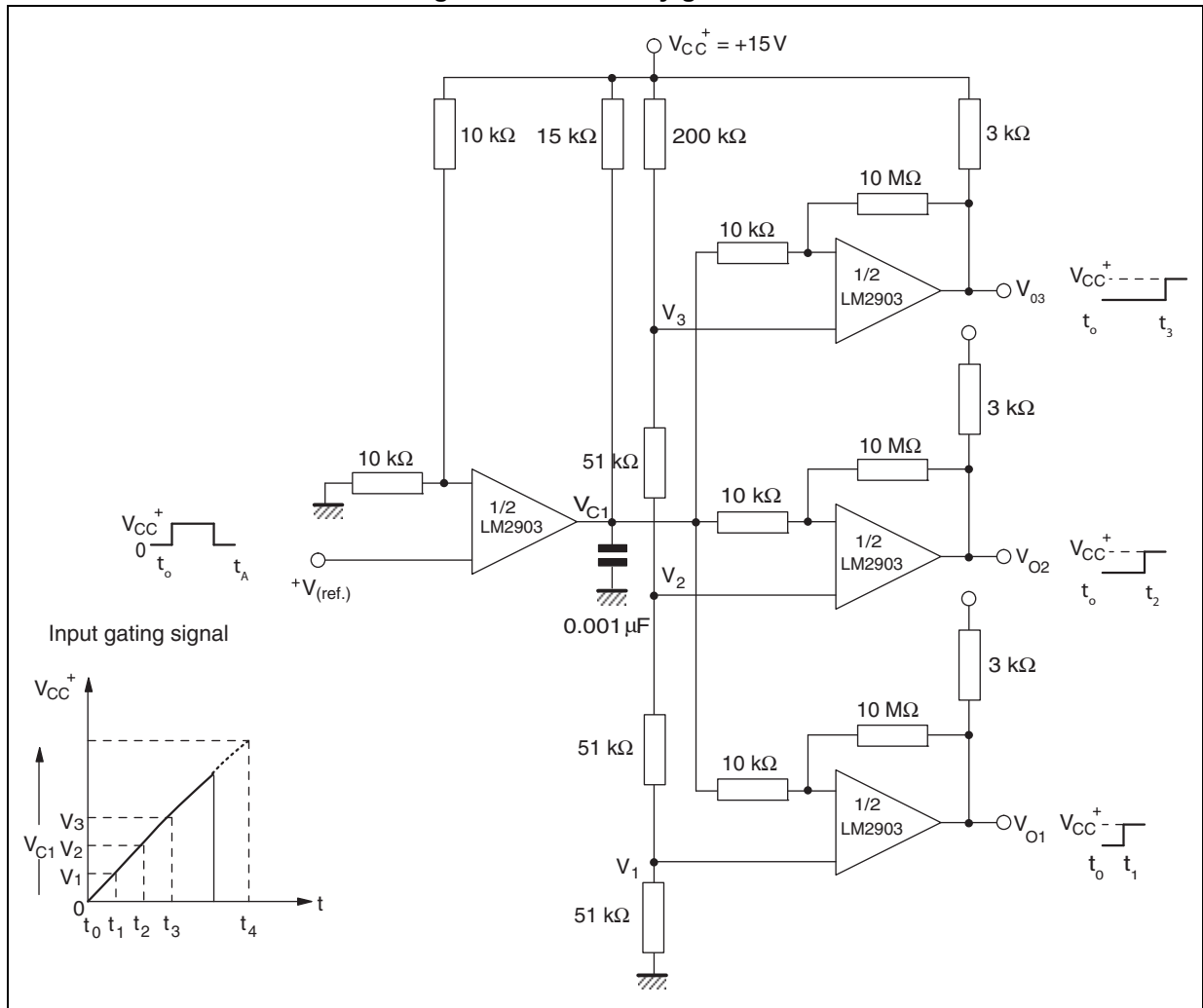
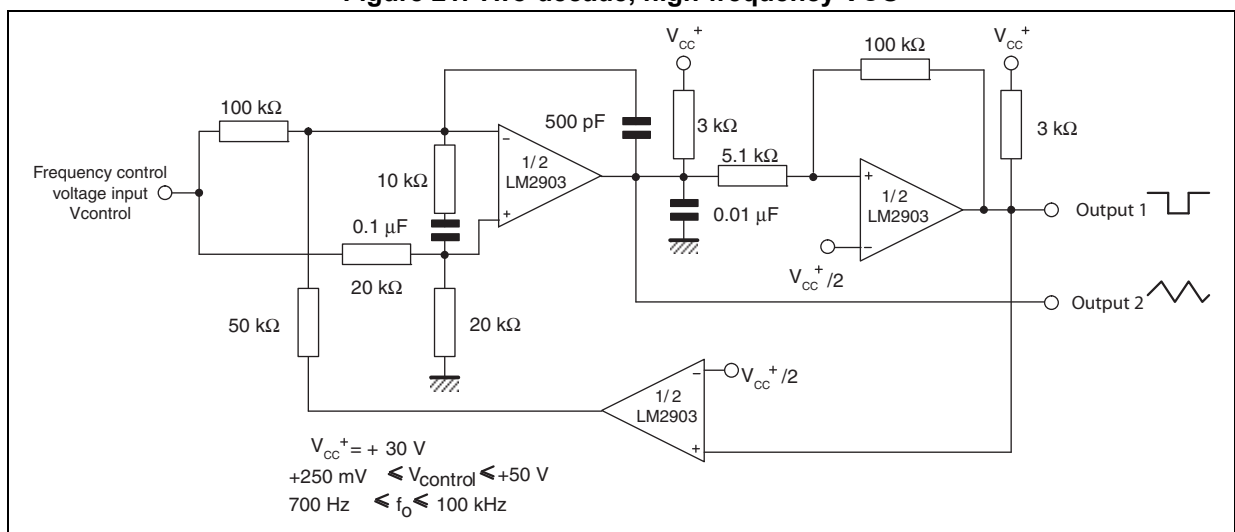


Figure 21. Two-decade, high-frequency VCO



## 6 Package information

In order to meet environmental requirements, ST offers these devices in different grades of ECOPACK<sup>®</sup> packages, depending on their level of environmental compliance. ECOPACK<sup>®</sup> specifications, grade definitions and product status are available at: [www.st.com](http://www.st.com). ECOPACK<sup>®</sup> is an ST trademark.

### 6.1 DIP8 package information

Figure 22. DIP8 package mechanical drawing

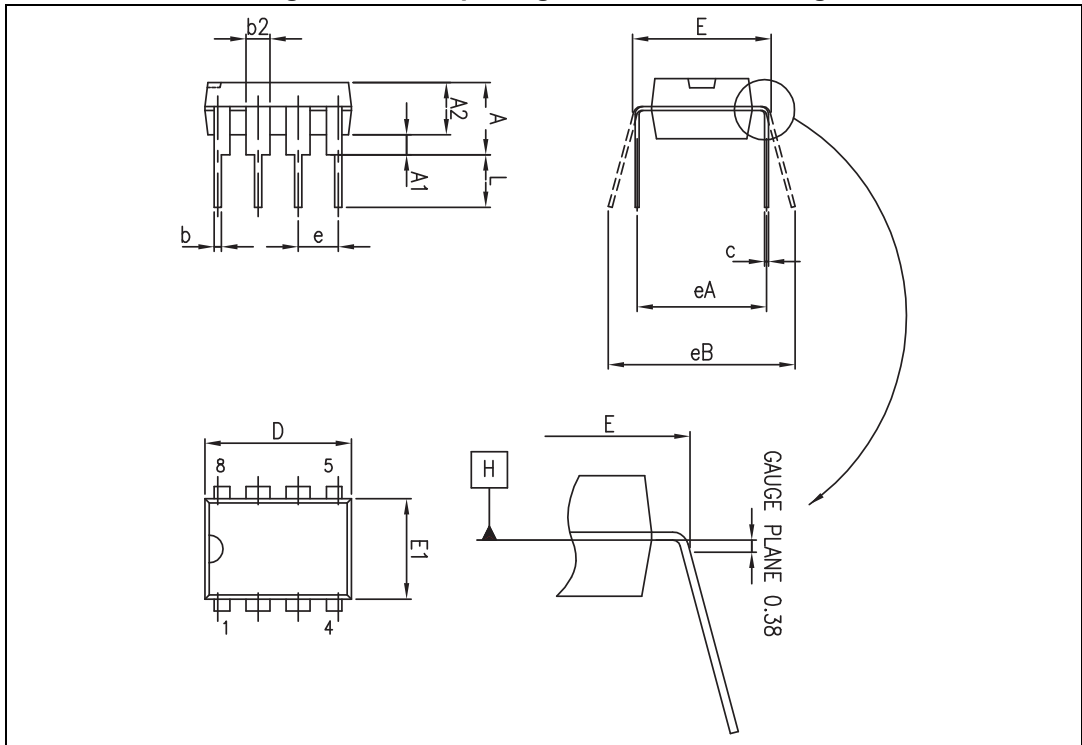


Table 4. DIP8 package mechanical data

Ref.	Dimensions					
	Millimeters			Inches		
	Min.	Typ.	Max.	Min.	Typ.	Max.
A			5.33			0.210
A1	0.38			0.015		
A2	2.92	3.30	4.95	0.115	0.130	0.195
b	0.36	0.46	0.56	0.014	0.018	0.022
b2	1.14	1.52	1.78	0.045	0.060	0.070
c	0.20	0.25	0.36	0.008	0.010	0.014
D	9.02	9.27	10.16	0.355	0.365	0.400
E	7.62	7.87	8.26	0.300	0.310	0.325
E1	6.10	6.35	7.11	0.240	0.250	0.280
e		2.54			0.100	
eA		7.62			0.300	
eB			10.92			0.430
L	2.92	3.30	3.81	0.115	0.130	0.150

## 6.2 SO8 package information

Figure 23. SO8 package mechanical drawing

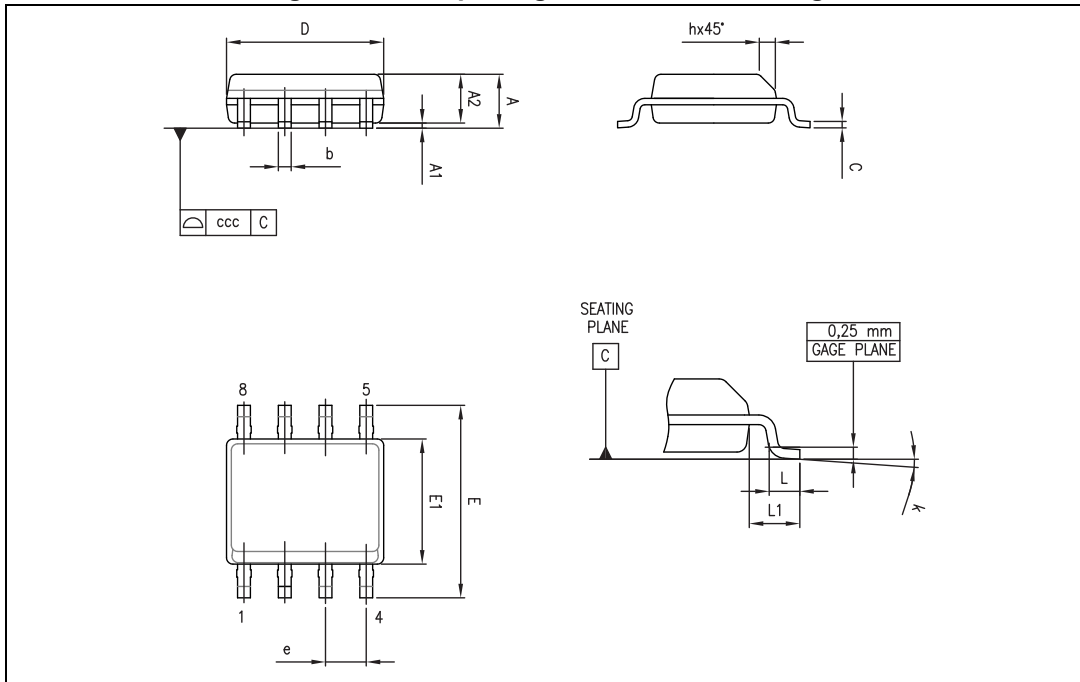


Table 5. SO8 package mechanical data

Ref.	Dimensions					
	Millimeters			Inches		
	Min.	Typ.	Max.	Min.	Typ.	Max.
A			1.75			0.069
A1	0.10		0.25	0.004		0.010
A2	1.25			0.049		
b	0.28		0.48	0.011		0.019
c	0.17		0.23	0.007		0.010
D	4.80	4.90	5.00	0.189	0.193	0.197
E	5.80	6.00	6.20	0.228	0.236	0.244
E1	3.80	3.90	4.00	0.150	0.154	0.157
e		1.27			0.050	
h	0.25		0.50	0.010		0.020
L	0.40		1.27	0.016		0.050
L1		1.04			0.040	
k	1°		8°	1°		8°
ccc			0.10			0.004

### 6.3 TSSOP8 package information

Figure 24. TSSOP8 package mechanical drawing

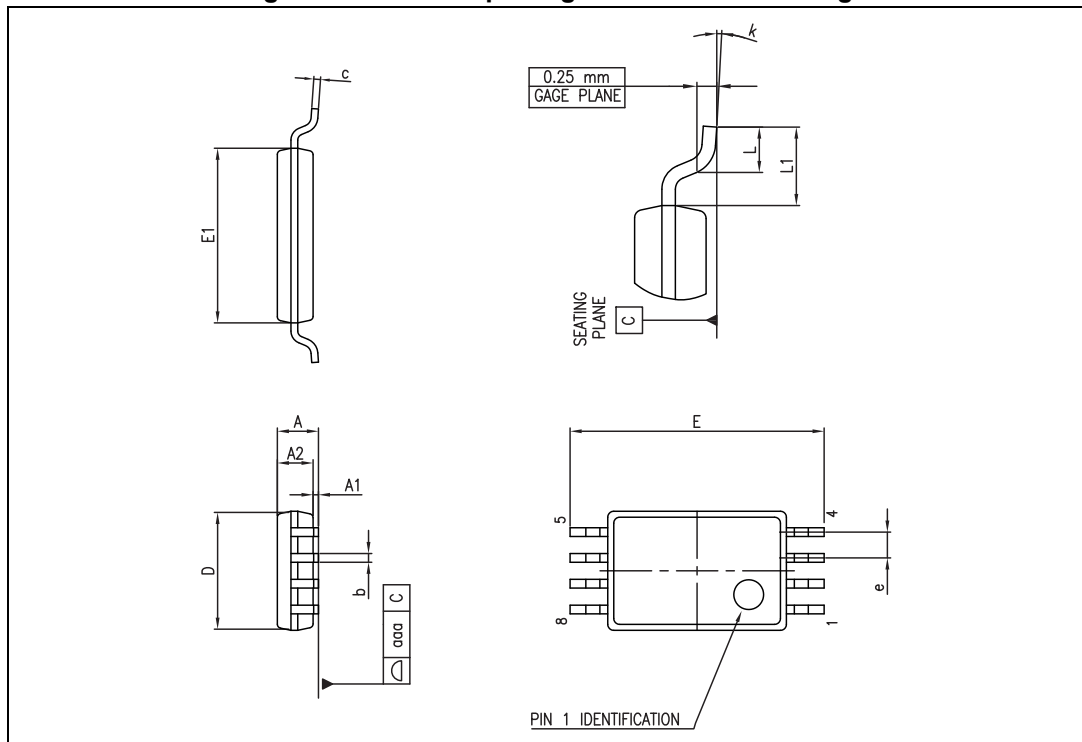


Table 6. TSSOP8 package mechanical data

Ref.	Dimensions					
	Millimeters			Inches		
	Min.	Typ.	Max.	Min.	Typ.	Max.
A			1.20			0.047
A1	0.05		0.15	0.002		0.006
A2	0.80	1.00	1.05	0.031	0.039	0.041
b	0.19		0.30	0.007		0.012
c	0.09		0.20	0.004		0.008
D	2.90	3.00	3.10	0.114	0.118	0.122
E	6.20	6.40	6.60	0.244	0.252	0.260
E1	4.30	4.40	4.50	0.169	0.173	0.177
e		0.65			0.0256	
k	0°		8°	0°		8°
L	0.45	0.60	0.75	0.018	0.024	0.030
L1		1			0.039	
aaa			0.10			0.004

### 6.4 MiniSO8 package information

Figure 25. MiniSO8 package mechanical drawing

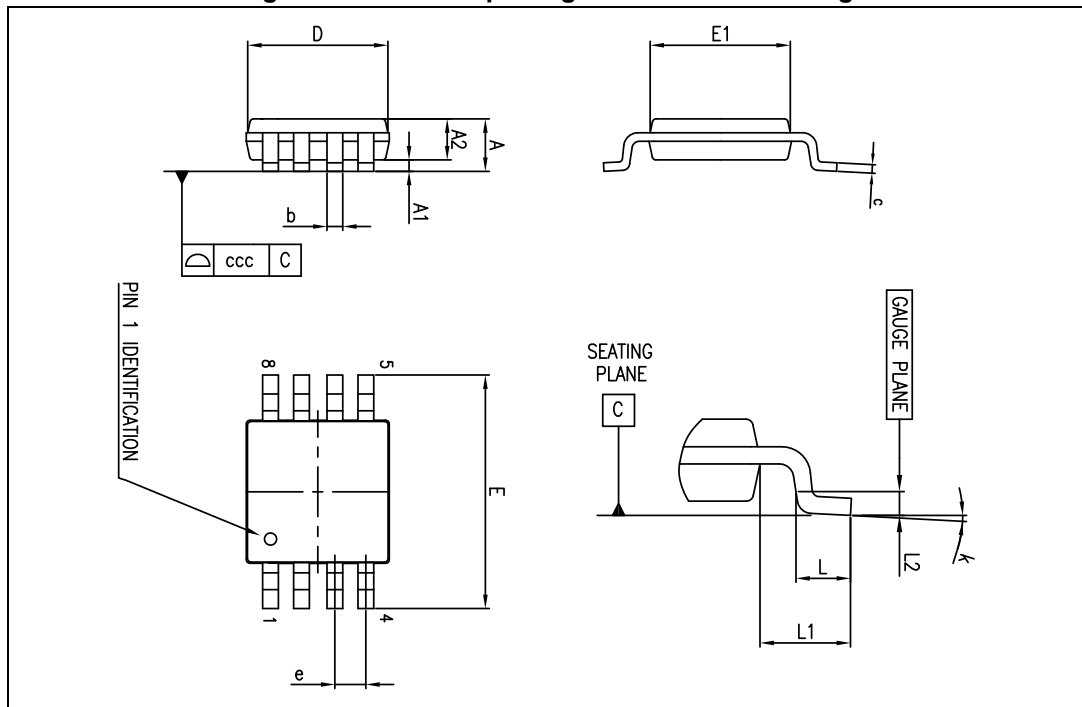


Table 7. MiniSO8 package mechanical data

Ref.	Dimensions					
	Millimeters			Inches		
	Min.	Typ.	Max.	Min.	Typ.	Max.
A			1.1			0.043
A1	0		0.15	0		0.006
A2	0.75	0.85	0.95	0.030	0.033	0.037
b	0.22		0.40	0.009		0.016
c	0.08		0.23	0.003		0.009
D	2.80	3.00	3.20	0.11	0.118	0.126
E	4.65	4.90	5.15	0.183	0.193	0.203
E1	2.80	3.00	3.10	0.11	0.118	0.122
e		0.65			0.026	
L	0.40	0.60	0.80	0.016	0.024	0.031
L1		0.95			0.037	
L2		0.25			0.010	
k	0°		8°	0°		8°
ccc			0.10			0.004

### 6.5 DFN8 2x2 package mechanical data

Figure 26. DFN8 2x2x0.6 mm package mechanical drawing (pitch 0.5 mm)

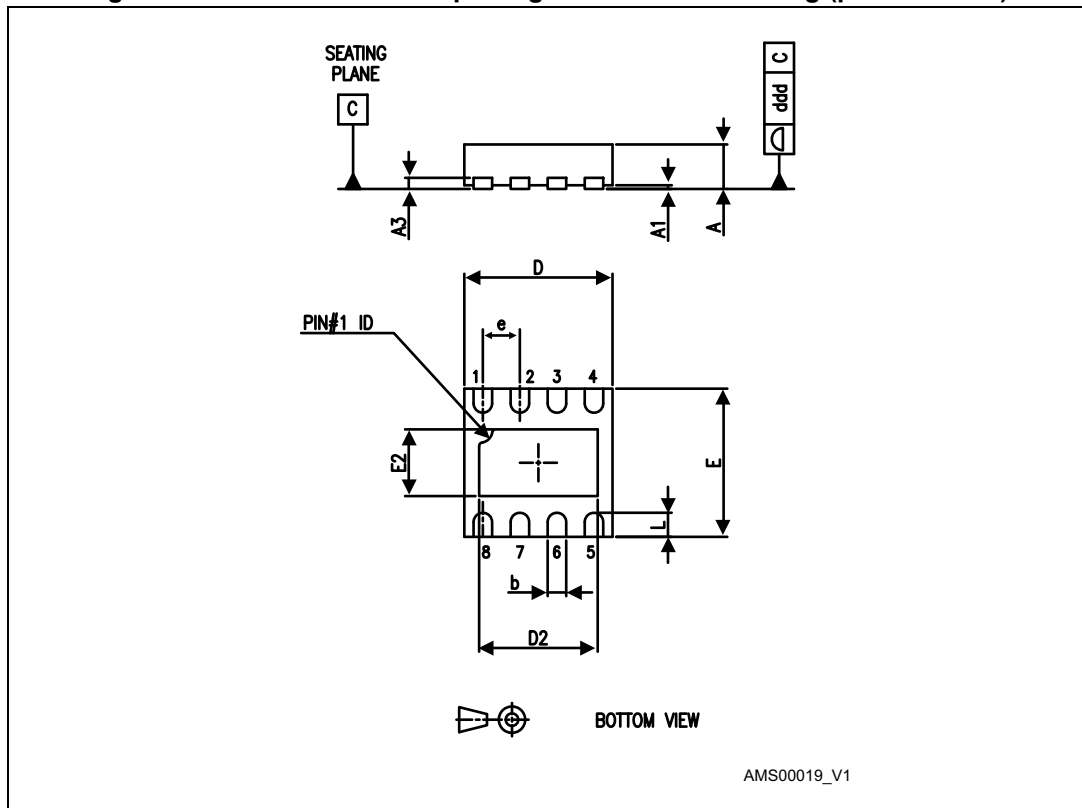
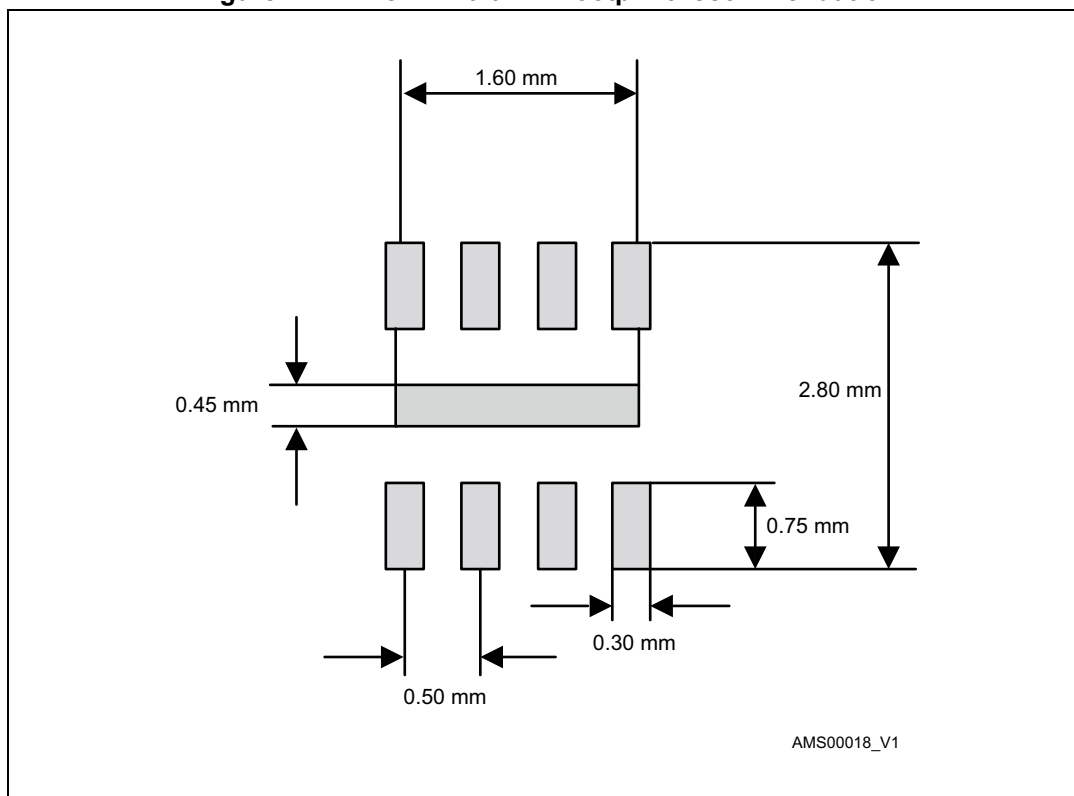


Table 8. DFN8 2x2x0.6 mm package mechanical data (pitch 0.5 mm)

Ref.	Dimensions					
	Millimeters			Inches		
	Min.	Typ.	Max.	Min.	Typ.	Max.
A	0.51	0.55	0.60	0.020	0.022	0.024
A1			0.05			0.002
A3		0.15			0.006	
b	0.18	0.25	0.30	0.007	0.010	0.012
D	1.85	2.00	2.15	0.073	0.079	0.085
D2	1.45	1.60	1.70	0.057	0.063	0.067
E	1.85	2.00	2.15	0.073	0.079	0.085
E2	0.75	0.90	1.00	0.030	0.035	0.039
e		0.50			0.020	
L			0.50			0.020
ddd			0.08			0.003

Figure 27. DFN8 2x2x0.6 mm footprint recommendation





## 7 Ordering information

Table 9. Order codes

Order code	Temperature range	Package	Packing	Marking
LM2903N	-40 °C to +125 °C	DIP8	Tube	LM2903N
LM2903D/DT		SO8	Tube or tape and reel	2903
LM2903YDT <sup>(1)</sup>		SO8 (automotive grade)	Tape and reel	2903Y
LM2903PT		TSSOP8		2903
LM2903YPT <sup>(2)</sup>		TSSOP8 (automotive grade)		2903Y
LM2903YST <sup>(1)</sup>		MiniSO8 (automotive grade)		K419
LM2903Q2T		DFN8 2x2 mm		K1Z

1. Qualified and characterized according to AEC Q100 and Q003 or equivalent, advanced screening according to AEC Q001 & Q 002 or equivalent.

2. Qualification and characterization according to AEC Q100 and Q003 or equivalent, advanced screening according to AEC Q001 & Q 002 or equivalent are on-going.

## 8 Revision history

**Table 10. Document revision history**

Date	Revision	Changes
15-Jun-2003	1	Initial release.
2-May-2005	2	PPAP references inserted in the datasheet see table order code p1.
8-Aug-2005	3	Electrical characteristics table corrected (see <a href="#">Table 3 on page 5</a> ). Pin connections diagram moved to cover page. Lead-free package information added.
27-Oct-2005	4	PPAP part number added in <a href="#">Table 9: Order codes</a> .
11-May-2007	5	ESD tolerance added in <a href="#">Table 1: Absolute maximum ratings on page 4</a> .
17-Jan-2008	6	Added $R_{thja}$ and $R_{thjc}$ , and ESD CDM parameters in <a href="#">Table 1: Absolute maximum ratings</a> . Removed $V_{icm}$ from electrical characteristics in <a href="#">Table 3</a> . Reformatted package information in <a href="#">Section 6</a> . Added footnotes for automotive grade parts in <a href="#">Table 9: Order codes</a> .
21-Feb-2008	7	Corrected SO-8 package mechanical data. Dimension E in drawing was marked H in table. Corrected revision history (revision 6 is of January 2008, not January 2007).
03-Dec-2009	8	Added pin description on cover page.
16-Feb-2012	9	Removed LM2903YD order code from <a href="#">Table 9</a> .
05-Dec-2012	10	Added the DFN8 package Small modifications to <a href="#">Figure 2</a> and <a href="#">Table 1</a> .
21-Nov-2013	11	Added MiniSO8 package Added <a href="#">Related products</a> <a href="#">Table 1</a> : updated $R_{thjc}$ and CDM information for MlniSO8 <a href="#">Table 9</a> : added order code LM2903YST for MiniSO8 (automotive grade). Updated disclaimer

**Please Read Carefully:**

Information in this document is provided solely in connection with ST products. STMicroelectronics NV and its subsidiaries ("ST") reserve the right to make changes, corrections, modifications or improvements, to this document, and the products and services described herein at any time, without notice.

All ST products are sold pursuant to ST's terms and conditions of sale.

Purchasers are solely responsible for the choice, selection and use of the ST products and services described herein, and ST assumes no liability whatsoever relating to the choice, selection or use of the ST products and services described herein.

No license, express or implied, by estoppel or otherwise, to any intellectual property rights is granted under this document. If any part of this document refers to any third party products or services it shall not be deemed a license grant by ST for the use of such third party products or services, or any intellectual property contained therein or considered as a warranty covering the use in any manner whatsoever of such third party products or services or any intellectual property contained therein.

**UNLESS OTHERWISE SET FORTH IN ST'S TERMS AND CONDITIONS OF SALE ST DISCLAIMS ANY EXPRESS OR IMPLIED WARRANTY WITH RESPECT TO THE USE AND/OR SALE OF ST PRODUCTS INCLUDING WITHOUT LIMITATION IMPLIED WARRANTIES OF MERCHANTABILITY, FITNESS FOR A PARTICULAR PURPOSE (AND THEIR EQUIVALENTS UNDER THE LAWS OF ANY JURISDICTION), OR INFRINGEMENT OF ANY PATENT, COPYRIGHT OR OTHER INTELLECTUAL PROPERTY RIGHT.**

**ST PRODUCTS ARE NOT DESIGNED OR AUTHORIZED FOR USE IN: (A) SAFETY CRITICAL APPLICATIONS SUCH AS LIFE SUPPORTING, ACTIVE IMPLANTED DEVICES OR SYSTEMS WITH PRODUCT FUNCTIONAL SAFETY REQUIREMENTS; (B) AERONAUTIC APPLICATIONS; (C) AUTOMOTIVE APPLICATIONS OR ENVIRONMENTS, AND/OR (D) AEROSPACE APPLICATIONS OR ENVIRONMENTS. WHERE ST PRODUCTS ARE NOT DESIGNED FOR SUCH USE, THE PURCHASER SHALL USE PRODUCTS AT PURCHASER'S SOLE RISK, EVEN IF ST HAS BEEN INFORMED IN WRITING OF SUCH USAGE, UNLESS A PRODUCT IS EXPRESSLY DESIGNATED BY ST AS BEING INTENDED FOR "AUTOMOTIVE, AUTOMOTIVE SAFETY OR MEDICAL" INDUSTRY DOMAINS ACCORDING TO ST PRODUCT DESIGN SPECIFICATIONS. PRODUCTS FORMALLY ESCC, QML OR JAN QUALIFIED ARE DEEMED SUITABLE FOR USE IN AEROSPACE BY THE CORRESPONDING GOVERNMENTAL AGENCY.**

Resale of ST products with provisions different from the statements and/or technical features set forth in this document shall immediately void any warranty granted by ST for the ST product or service described herein and shall not create or extend in any manner whatsoever, any liability of ST.

ST and the ST logo are trademarks or registered trademarks of ST in various countries.

Information in this document supersedes and replaces all information previously supplied.

The ST logo is a registered trademark of STMicroelectronics. All other names are the property of their respective owners.

© 2013 STMicroelectronics - All rights reserved

STMicroelectronics group of companies

Australia - Belgium - Brazil - Canada - China - Czech Republic - Finland - France - Germany - Hong Kong - India - Israel - Italy - Japan - Malaysia - Malta - Morocco - Philippines - Singapore - Spain - Sweden - Switzerland - United Kingdom - United States of America

[www.st.com](http://www.st.com)

