

Photoelectric Smoke Detector IC with I/O and Temporal Pattern Horn Driver

The CMOS MC145012 is an advanced smoke detector component containing sophisticated very-low-power analog and digital circuitry. The IC is used with an infrared photoelectric chamber. Detection is accomplished by sensing scattered light from minute smoke particles or other aerosols. When detection occurs, a pulsating alarm is sounded via on-chip push-pull drivers and an external piezoelectric transducer.

The variable-gain photo amplifier allows direct interface to IR detectors (photodiodes). Two external capacitors, C1 and C2, C1 being the larger, determine the gain settings. Low gain is selected by the IC during most of the standby state. Medium gain is selected during a local-smoke condition. High gain is used during pushbutton test. During standby, the special monitor circuit which periodically checks for degraded chamber sensitivity uses high gain also.

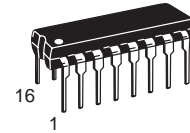
The I/O pin, in combination with V_{SS} , can be used to interconnect up to 40 units for common signaling. An on-chip current sink provides noise immunity when the I/O is an input. A local-smoke condition activates the short-circuit-protected I/O driver, thereby signaling remote smoke to the interconnected units. Additionally, the I/O pin can be used to activate escape lights, enable auxiliary or remote alarms, and/or initiate auto-dialers.

While in standby, the low-supply detection circuitry conducts periodic checks using a pulsed load current from the LED pin. The trip point is set using two external resistors. The supply for the MC145012 can be a 9 V battery.

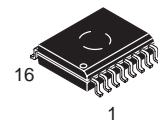
A visible LED flash accompanying a pulsating audible alarm indicates a local-smoke condition. A pulsating audible alarm with no LED flash indicates a remote-smoke condition. A beep or chirp occurring virtually simultaneously with an LED flash indicates a low-supply condition. A beep or chirp occurring halfway between LED flashes indicates degraded chamber sensitivity. A low-supply condition does not affect the smoke detection capability if $V_{DD} \geq 6$ V. Therefore, the low-supply condition and degraded chamber sensitivity can be further distinguished by performing a pushbutton (chamber) test.

- Circuit is designed to operate in smoke detector systems that comply with UL217 and UL268 Specifications
- Operating Voltage Range: 6 to 12 V
- Operating Temperature Range: - 10 to 60°C
- Average Supply Current: 8 μ A
- I/O Pin Allows Units to be Interconnected for Common Signalling
- Power-On Reset Places IC in Standby Mode (Non-Alarm State)
- Electrostatic Discharge (ESD) and Latch Up Protection Circuitry on All Pins
- Chip Complexity: 2000 FETs, 12 NPNs, 16 Resistors, and 10 Capacitors
- Supports NFPA 72, ANSI S3.41, and ISO 8201 Audible Emergency Evacuation Signals
- Ideal for battery-powered applications

MC145012



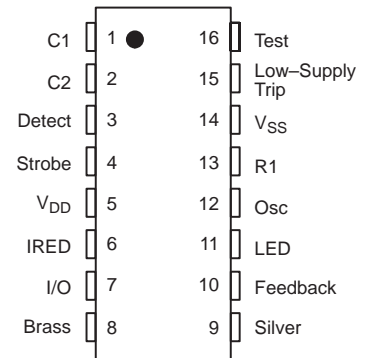
**P SUFFIX
PLASTIC DIP
CASE 648-08**



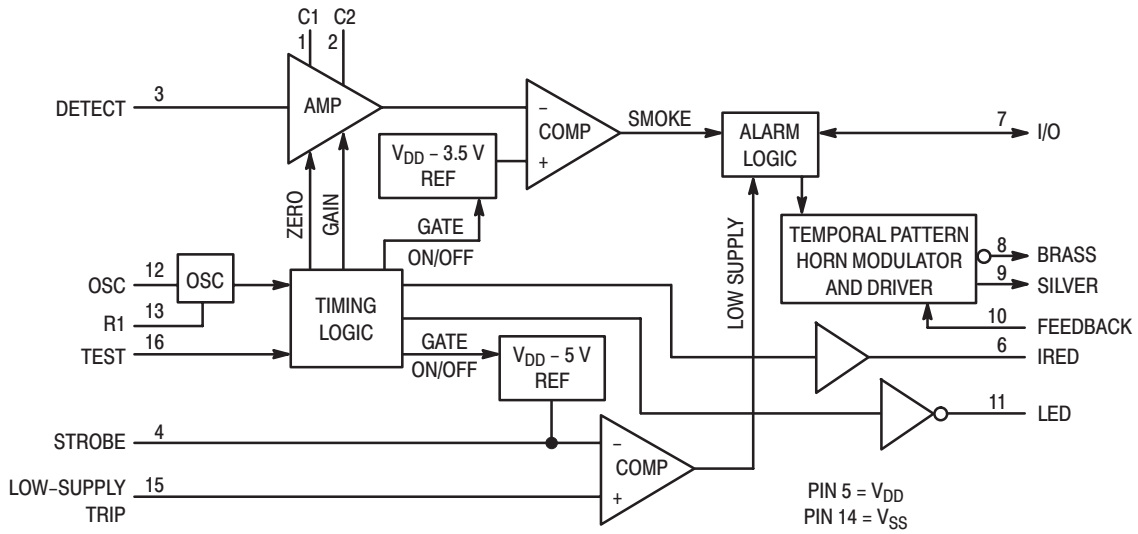
**DW SUFFIX
SOIC PACKAGE
CASE 751G-03**

ORDERING INFORMATION
MC145012P PLASTIC DIP
MC145012DW SOIC PACKAGE

PIN ASSIGNMENT



BLOCK DIAGRAM



MAXIMUM RATINGS* (Voltages referenced to V_{SS})

| Symbol | Parameter | Value | Unit |
|------------------|---|---|------|
| V _{DD} | DC Supply Voltage | -0.5 to +12 | V |
| V _{in} | DC Input Voltage C1, C2, Detect Osc, Low-Supply Trip I/O Feedback Test | -0.25 to V _{DD} +0.25 -0.25 to V _{DD} +0.25 -0.25 to V _{DD} +10 -15 to +25 -1.0 to V _{DD} +0.25 | V |
| I _{in} | DC Input Current, per Pin | ± 10 | mA |
| I _{out} | DC Output Current, per Pin | ± 25 | mA |
| I _{DD} | DC Supply Current, V _{DD} and V _{SS} Pins | +25 / - 150 | mA |
| P _D | Power Dissipation in Still Air, 5 Seconds Continuous | 1200** 350*** | mW |
| T _{stg} | Storage Temperature | -55 to +125 | °C |
| T _L | Lead Temperature, 1 mm from Case for 10 Seconds | 260 | °C |

* Maximum Ratings are those values beyond which damage to the device may occur. Functional operation should be restricted to the limits in the Electrical Characteristics tables.

** Derating: - 12 mW/°C from 25° to 60°C.

*** Derating: - 3.5 mW/°C from 25° to 60°C.

This device contains protection circuitry to guard against damage due to high static voltages or electric fields. However, precautions must be taken to avoid applications of any voltage higher than maximum rated voltages to this high-impedance circuit. For proper operation, V_{in} and V_{out} should be constrained to the range V_{SS} ≤ (V_{in} or V_{out}) ≤ V_{DD} except for the I/O, which can exceed V_{DD}, and the Test input, which can go below V_{SS}.

Unused inputs must always be tied to an appropriate logic voltage level (e.g., either V_{SS} or V_{DD}). Unused outputs and/or an unused I/O must be left open.

ELECTRICAL CHARACTERISTICS (Voltages Referenced to V_{SS} , $T_A = -10$ to 60°C Unless Otherwise Indicated)

| Symbol | Parameter | Test Condition | V_{DD} V | Min | Max | Unit | |
|-----------|--|---|---|------|-----------------|-----------------|---------------|
| V_{DD} | Power Supply Voltage Range | | — | 6 | 12 | V | |
| V_{TH} | Supply Threshold Voltage, Low-Supply Alarm | Low-Supply Trip: $V_{in} = V_{DD}/3$ | — | 6.5 | 7.8 | V | |
| I_{DD} | Average Operating Supply Current (per Package) (Does Not Include Current through D3-IR Emitter) | Standby Configured per Figure 5 | 12.0 | — | 8.0 | μA | |
| i_{DD} | Peak Supply Current (per Package) (Does Not Include IRED Current into Base of Q1) | During Strobe On, IRED Off Configured per Figure 5 | 12.0 | — | 2.0 | mA | |
| | | During Strobe On, IRED On Configured per Figure 5 | 12.0 | — | 3.0 | | |
| V_{IL} | Low-Level Input Voltage | I/O | 9.0 | — | 1.5 | V | |
| | | Feedback | 9.0 | — | 2.7 | | |
| | | Test | 9.0 | — | 7.0 | | |
| V_{IH} | High-Level Input Voltage | I/O | 9.0 | 3.2 | — | V | |
| | | Feedback | 9.0 | 6.3 | — | | |
| | | Test | 9.0 | 8.5 | — | | |
| I_{in} | Input Current | OSC, Detect | $V_{in} = V_{SS}$ or V_{DD} | 12.0 | — | ± 100 | nA |
| | | Low-Supply Trip | $V_{in} = V_{SS}$ or V_{DD} | 12.0 | — | ± 100 | |
| | | Feedback | $V_{in} = V_{SS}$ or V_{DD} | 12.0 | — | ± 100 | |
| I_{IL} | Low-Level Input Current | Test | $V_{in} = V_{SS}$ | 12.0 | -100 | -1 | μA |
| I_{IH} | Pull-Down Current | Test | $V_{in} = V_{DD}$ | 9.0 | 0.5 | 10 | μA |
| | | I/O | No Local Smoke, $V_{in} = V_{DD}$ | 9.0 | 25 | 100 | |
| | | | No Local Smoke, $V_{in} = 17\text{ V}$ | 12.0 | — | 140 | |
| V_{OL} | Low-Level Output Voltage | LED Silver, Brass | $I_{out} = 10\text{ mA}$ | 6.5 | — | 0.6 | V |
| | | | $I_{out} = 16\text{ mA}$ | 6.5 | — | 1.0 | |
| V_{OH} | High-Level Output Voltage | Silver, Brass | $I_{out} = -16\text{ mA}$ | 6.5 | 5.5 | — | V |
| V_{out} | Output Voltage (For Line Regulation, See Pin Descriptions) | Strobe | Inactive, $I_{out} = 1\text{ }\mu\text{A}$ | — | $V_{DD} - 0.1$ | — | V |
| | | | Active, $I_{out} = 100\text{ }\mu\text{A}$ to $500\text{ }\mu\text{A}$ (Load Regulation) | 9.0 | $V_{DD} - 4.4$ | $V_{DD} - 5.6$ | |
| | | IRED | Inactive, $I_{out} = 1\text{ }\mu\text{A}$ | — | — | 0.1 | |
| | | | Active, $I_{out} = 6\text{ mA}$ (Load Regulation) | 9.0 | 2.25* | 3.75* | |
| I_{OH} | High-Level Output Current | I/O | Local Smoke, $V_{out} = 4.5\text{ V}$ | 6.5 | -4 | — | mA |
| | | | Local Smoke, $V_{out} = V_{SS}$ (Short Circuit Current) | 12.0 | — | -16 | |
| I_{OZ} | Off-State Output Leakage Current | LED | $V_{out} = V_{SS}$ or V_{DD} | 12.0 | — | ± 1 | μA |
| V_{IC} | Common Mode Voltage Range | C1, C2, Detect | Local Smoke, Pushbutton Test, or Chamber Sensitivity Test | — | $V_{DD} - 4$ | $V_{DD} - 2$ | V |
| V_{ref} | Smoke Comparator Reference Voltage | Internal | Local Smoke, Pushbutton Test, or Chamber Sensitivity Test | — | $V_{DD} - 3.08$ | $V_{DD} - 3.92$ | V |

* $T_A = 25^\circ\text{C}$ only.

MC145012

AC ELECTRICAL CHARACTERISTICS (Reference Timing Diagram Figures 3 and 4)

($T_A = 25^\circ\text{C}$, $V_{DD} = 9.0\text{ V}$, Component Values from Figure 5: $R_1 = 100.0\text{ K}\Omega$, $C_3 = 1500.0\text{ pF}$, $R_2 = 7.5\text{ M}\Omega$)

| No. | Symbol | Parameter | Test Condition | Clocks | Min* | Typ** | Max* | Unit |
|-----|--------------------------------|--|---|---------|--------------|-------|------|---------------|
| 1 | $1/f_{osc}$ | Oscillator Period | Free-Running Sawtooth Measured at Pin 12 | 1 | 7.0 | 7.9 | 8.6 | ms |
| 2 | t_{LED} | LED Pulse Period | No Local Smoke, and No Remote Smoke | 4096 | 28.8 | 32.4 | 35.2 | s |
| 3 | | | Remote Smoke, but No Local Smoke | — | Extinguished | | | |
| 4 | | | Local Smoke | 64 | 0.45 | 0.5 | 0.55 | |
| 5 | | | Pushbutton Test | 64 | 0.45 | 0.5 | 0.55 | |
| 6 | $t_{w(LED)}$, $t_{w(stb)}$ | LED Pulse Width and Strobe Pulse Width | | 1 | 7.0 | — | 8.6 | ms |
| 7 | t_{IRED} | IRED Pulse Period | Smoke Test | 1024 | 7.2 | 8.1 | 8.8 | s |
| 8 | t_{IRED} | IRED Pulse Period | Chamber Sensitivity Test, without Local Smoke | 4096 | 28.8 | 32.4 | 35.2 | s |
| 9 | | | Pushbutton Test | 128 | 0.9 | 1 | 1.1 | |
| 10 | $t_{w(IRED)}$ | IRED Pulse Width | | T_f^* | 94 | | 116 | μs |
| 11 | t_r | IRED Rise Time | | — | — | | 30 | μs |
| 12 | t_f | IRED Fall Time | | — | — | | 200 | |
| 13 | t_{on} | Silver and Brass Temporal Modulation Pulse Width | | 64 | 0.45 | 0.5 | 0.55 | s |
| 14 | t_{off} | | | | 0.45 | 0.5 | 0.55 | |
| 15 | t_{offd} | | | | 192 | 1.35 | 1.52 | |
| 16 | t_{CH} | Silver and Brass Chirp Pulse Period | Low Supply or Degraded Chamber Sensitivity | 4096 | 28.8 | 32.4 | 35.2 | s |
| 17 | t_{wCH} | Silver and Brass Chirp Pulse Width | | 1 | 7.0 | 7.9 | 8.6 | ms |
| 18 | t_{RR} | Rising Edge on I/O to Smoke Alarm Response Time | Remote Smoke, No Local Smoke | — | — | 2! | — | s |
| 19 | t_{stb} | Strobe Out Pulse Period | Smoke Test | 1024 | 7.2 | 8.1 | 8.8 | s |
| 20 | | | Chamber Sensitivity Test, without Local Smoke | 4096 | 28.8 | 32.4 | 35.2 | |
| 21 | | | Low Supply Test, without Local Smoke | 4096 | 28.8 | 32.4 | 35.2 | |
| 22 | | | Pushbutton Test | — | — | 1 | — | |

* Oscillator period $T (= T_r + T_f)$ is determined by the external components R_1 , R_2 , and C_3 where $T_r = (0.6931) R_2 * C_3$ and $T_f = (0.6931) R_1 * C_3$. The other timing characteristics are some multiple of the oscillator timing as shown in the table. The timing shown should accommodate the NFPA 72, ANSI S3.41, and ISO 8201 audible emergency evacuation signals.

** Typical values are not guaranteed.

! Time is typical — depends on what point in cycle signal is applied.

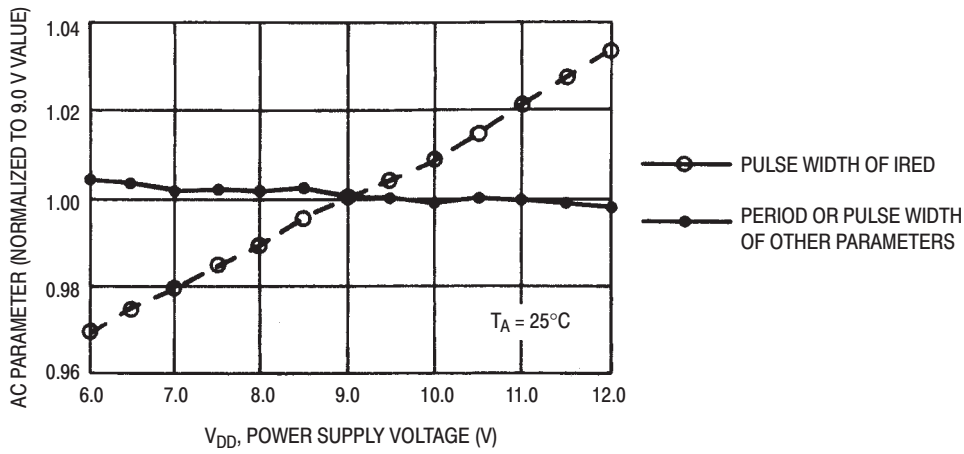
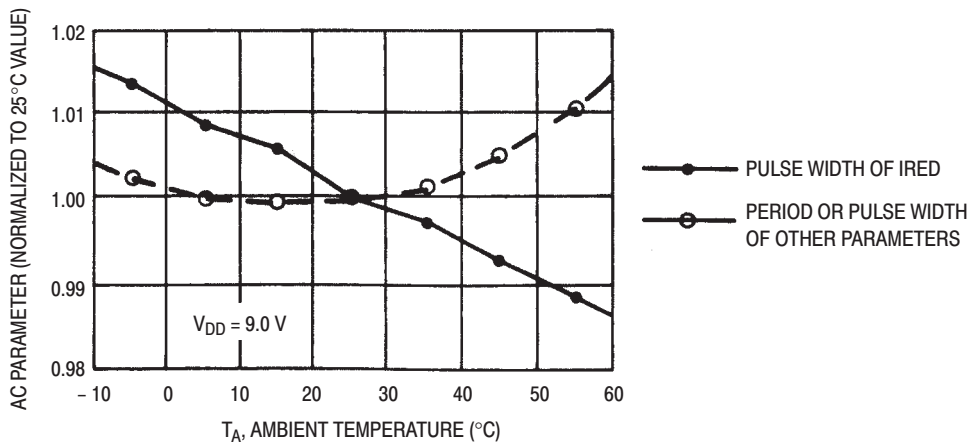
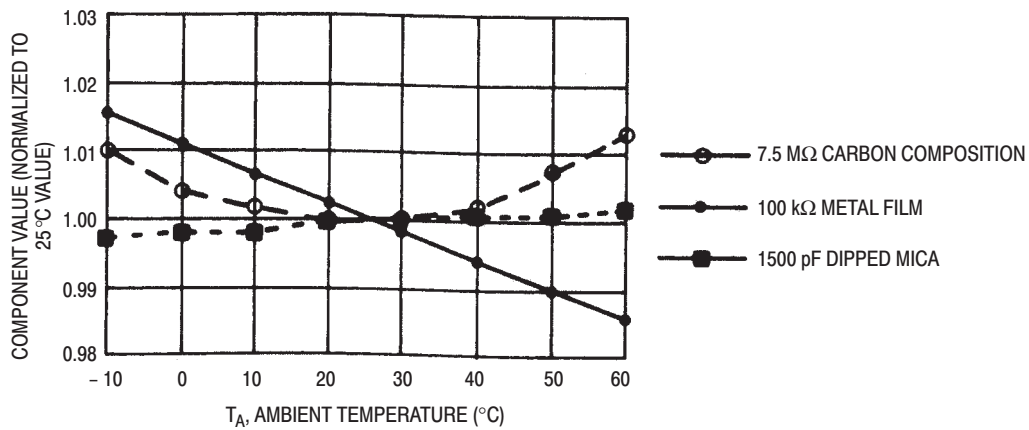


Figure 1. AC Characteristics versus Supply



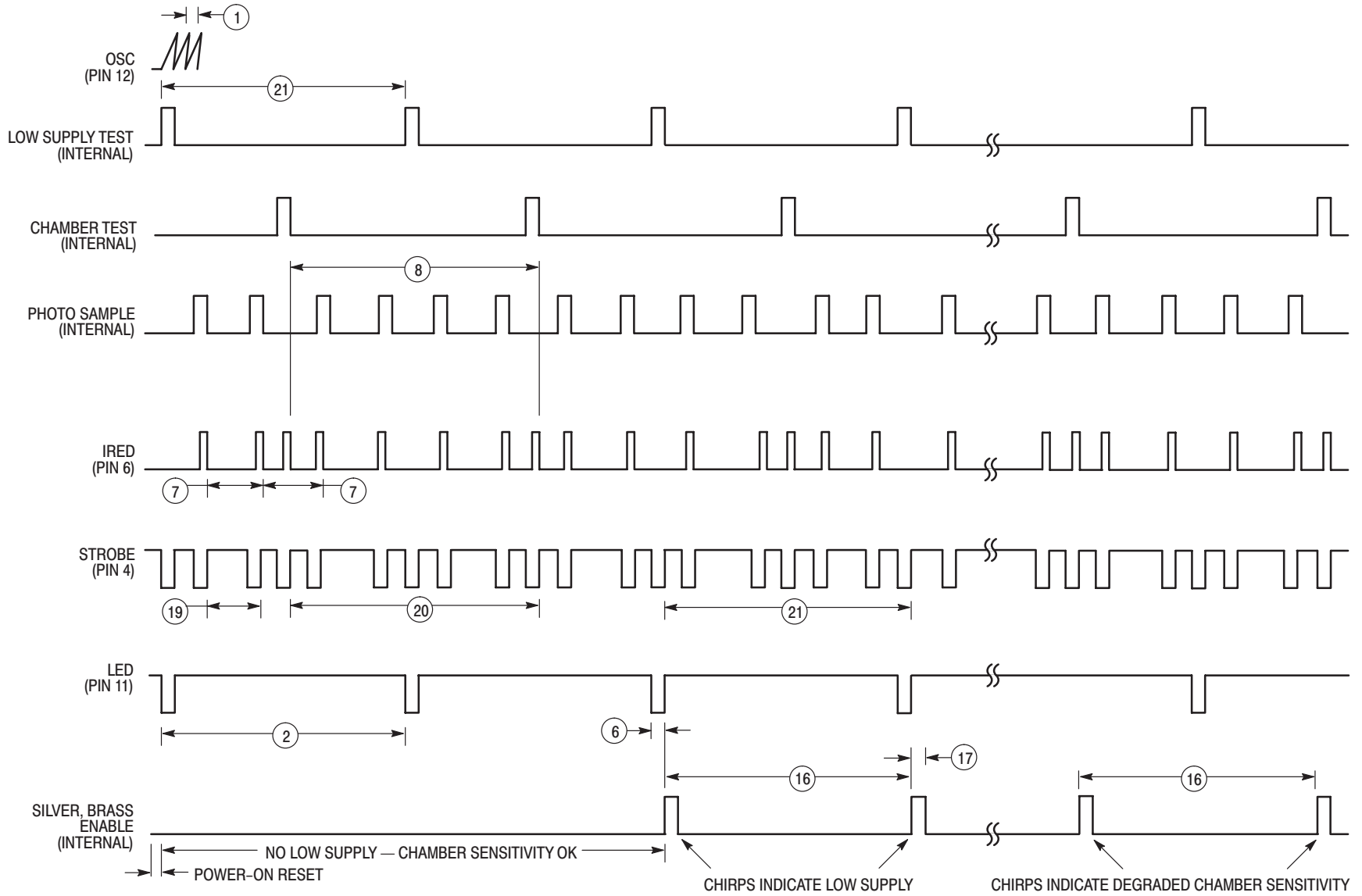
NOTE: Includes external component variations. See Figure 2B.

Figure 2A. AC Characteristics versus Temperature



NOTE: These components were used to generate Figure 2A.

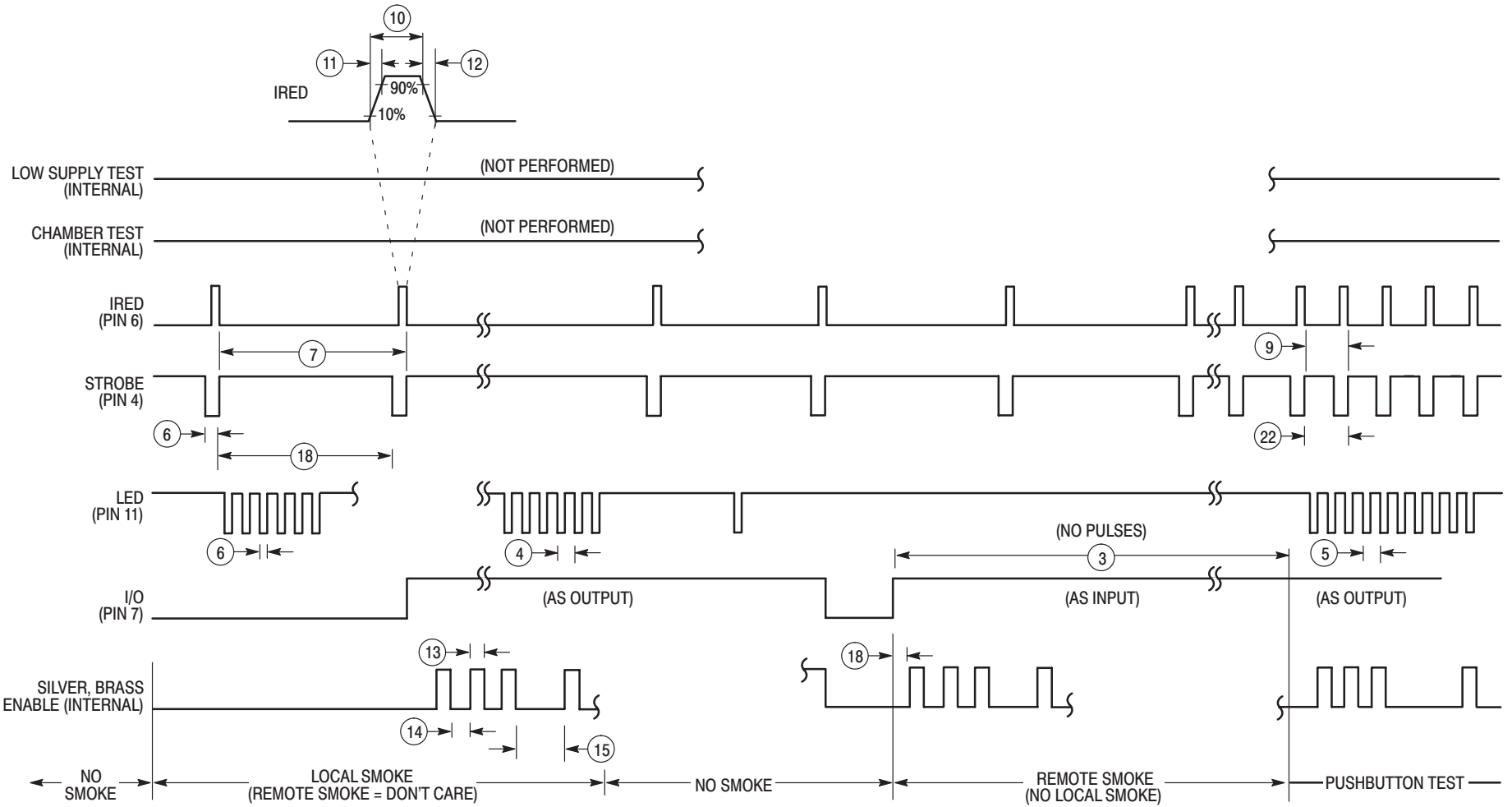
Figure 2B. RC Component Variation Over Temperature



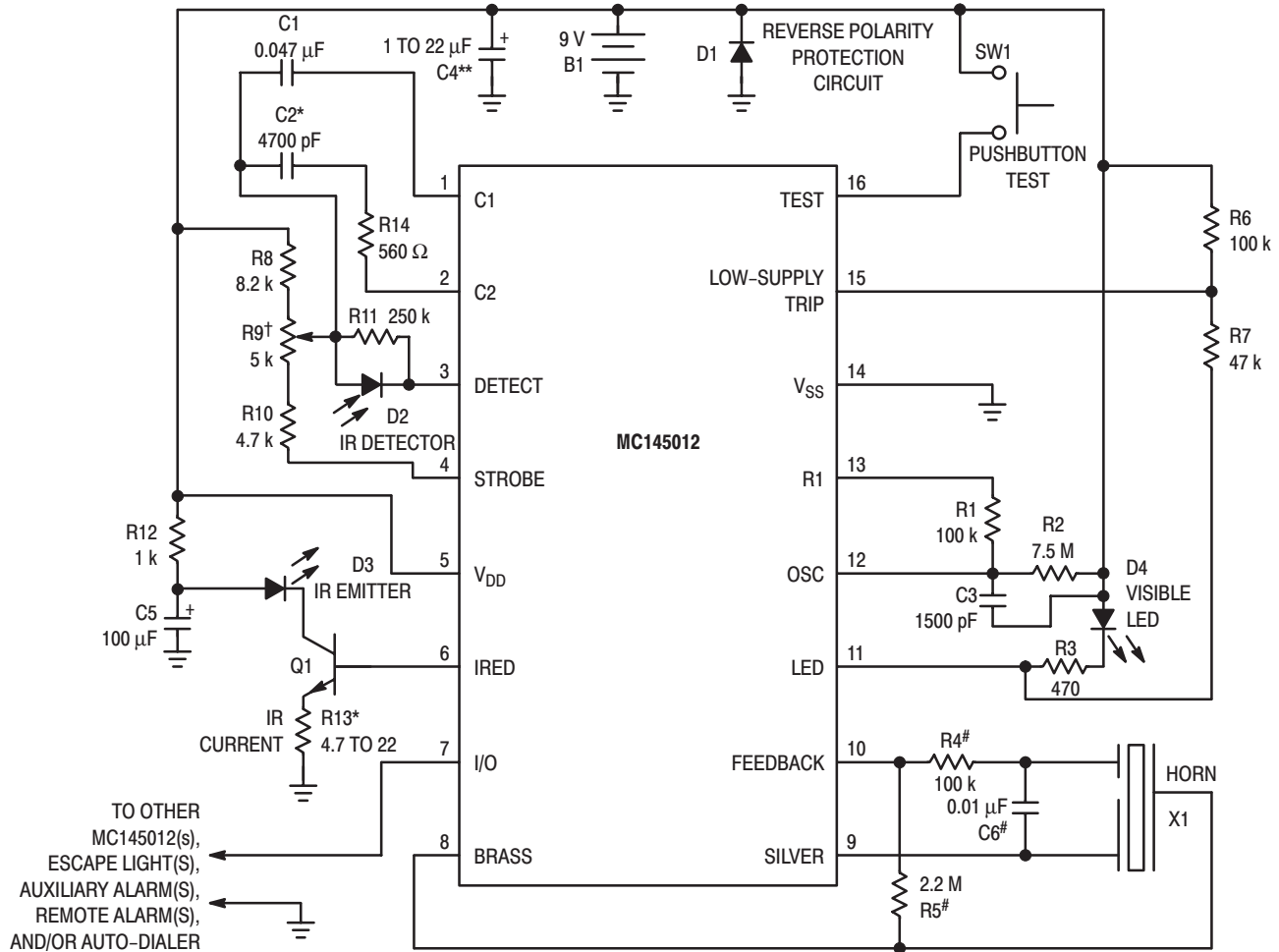
NOTES: Numbers refer to the AC Electrical Characteristics Table.
Illustration is not to scale.

Figure 3. Typical Standby Timing

Figure 4. Typical Local Smoke Timing



NOTES: Numbers refer to the AC Electrical Characteristics Table.
Illustration is not to scale.



Values for R4, R5, and C6 may differ depending on type of piezoelectric horn used.
 * C2 and R13 are used for coarse sensitivity adjustment. Typical values are shown.
 † R9 is for fine sensitivity adjustment (optional). If fixed resistors are used, R8 = 12 k, R10 is 5.6 k to 10 k, and R9 is eliminated. When R9 is used, noise pickup is increased due to antenna effects. Shielding may be required.
 **C4 should be 22 μF if B1 is a carbon battery. C4 could be reduced to 1 μF when an alkaline battery is used.

Figure 5. Typical Battery-Powered Application

PIN DESCRIPTIONS

C1 (Pin 1)

A capacitor connected to this pin as shown in Figure 5 determines the gain of the on-chip photo amplifier during pushbutton test and chamber sensitivity test (high gain). The capacitor value is chosen such that the alarm is tripped from background reflections in the chamber during pushbutton test.

$A_v \approx 1 + (C1/10)$ where C1 is in pF. CAUTION: The value of the closed-loop gain should not exceed 10,000.

C2 (Pin 2)

A capacitor connected to this pin as shown in Figure 5 determines the gain of the on-chip photo amplifier except during pushbutton or chamber sensitivity tests.

$A_v \approx 1 + (C2/10)$ where C2 is in pF. This gain increases about 10% during the IRED pulse, after two consecutive local smoke detections.

Resistor R14 must be installed in series with C2. $R14 \approx [1/(12\sqrt{C2})] - 680$ where R14 is in ohms and C2 is in farads.

DETECT (Pin 3)

This input to the high-gain pulse amplifier is tied to the cathode of an external photodiode. The photodiode should have low capacitance and low dark leakage current. The diode must be shunted by a load resistor and is operated at zero bias.

The Detect input must be ac/dc decoupled from all other signals, V_{DD}, and V_{SS}. Lead length and/or foil traces to this pin must be minimized, also. See Figure 6.

STROBE (Pin 4)

This output provides a strobed, regulated voltage referenced to V_{DD}. The temperature coefficient of this voltage is ± 0.2%/°C maximum from - 10° to 60°C. The supply-voltage coefficient (line regulation) is ± 0.2%/V maximum from 6 to 12 V. Strobe is tied to external resistor string R8, R9, and R10.

V_{DD} (Pin 5)

This pin is connected to the positive supply potential and may range from + 6 to + 12 V with respect to V_{SS}. CAUTION: In battery-powered applications, reverse-polarity protection must be provided externally.

IRED (Pin 6)

This output provides pulsed base current for external NPN transistor Q1 used as the infrared emitter driver. Q1 must have $\beta \geq 100$. At 10 mA, the temperature coefficient of the output voltage is typically + 0.5%/°C from – 10° to 60°C. The supply-voltage coefficient (line regulation) is $\pm 0.2\%/V$ maximum from 6 to 12 V. The IRED pulse width (active-high) is determined by external components R1 and C3. With a 100 k Ω /1500 pF combination, the nominal width is 105 μ s.

To minimize noise impact, IRED is not active when the visible LED and horn outputs are active. IRED is active near the end of strobe pulses for smoke tests, chamber sensitivity test, and pushbutton test.

I/O (Pin 7)

This pin can be used to connect up to 40 units together in a wired-OR configuration for common signaling. V_{SS} is used as the return. An on-chip current sink minimizes noise pick up during non-smoke conditions and eliminates the need for an external pull-down resistor to complete the wired-OR. Remote units at lower supply voltages do not draw excessive current from a sending unit at a higher supply voltage.

I/O can also be used to activate escape lights, auxiliary alarms, remote alarms, and/or auto-dialers.

As an input, this pin feeds a positive-edge-triggered flip-flop whose output is sampled nominally every 1 second during standby (using the recommended component values). A local-smoke condition or the pushbutton-test mode forces this current-limited output to source current. All input signals are ignored when I/O is sourcing current.

I/O is disabled by the on-chip power-on reset to eliminate nuisance signaling during battery changes or system power-up.

If unused, I/O must be left unconnected.

BRASS (Pin 8)

This half of the push-pull driver output is connected to the metal support electrode of a piezoelectric audio transducer and to the horn-starting resistor. A continuous modulated tone from the transducer is a smoke alarm indicating either local or remote smoke. A short beep or chirp is a trouble alarm indicating a low supply or degraded chamber sensitivity.

SILVER (Pin 9)

This half of the push-pull driver output is connected to the ceramic electrode of a piezoelectric transducer and to the horn-starting capacitor.

FEEDBACK (Pin 10)

This input is connected to both the feedback electrode of a self-resonating piezoelectric transducer and the horn-starting resistor and capacitor through current-limiting resistor R4. If unused, this pin must be tied to V_{SS} or V_{DD}.

LED (Pin 11)

This active-low open-drain output directly drives an external visible LED at the pulse rates indicated below. The pulse width is equal to the OSC period.

The load for the low-supply test is applied by this output. This low-supply test is non-coincident with the smoke tests, chamber sensitivity test, pushbutton test, or any alarm signals.

The LED also provides a visual indication of the detector status as follows, assuming the component values shown in Figure 5:

Standby (includes low-supply and chamber sensitivity tests) — Pulses every 32.4 seconds (typical)

Local Smoke — Pulses every 0.51 seconds (typical)

Remote Smoke — No pulses

Pushbutton Test — Pulses every 0.51 seconds (typical)

OSC (Pin 12)

This pin is used in conjunction with external resistor R2 (7.5 M Ω) to V_{DD} and external capacitor C3 (1500 pF) to V_{DD} to form an oscillator with a nominal period of 7.9 ms (typical).

R1 (Pin 13)

This pin is used in conjunction with resistor R1 (100 k Ω) to Pin 12 and C3 (1500 pF, see Pin 12 description) to determine the IRED pulse width. With this RC combination, the nominal pulse width is 105 μ s.

V_{SS} (Pin 14)

This pin is the negative supply potential and the return for the I/O pin. Pin 14 is usually tied to ground.

LOW-SUPPLY TRIP (Pin 15)

This pin is connected to an external voltage which determines the low-supply alarm threshold. The trip voltage is obtained through a resistor divider connected between the V_{DD} and LED pins. The low-supply alarm threshold voltage (in volts) $\approx (5R7/R6) + 5$ where R6 and R7 are in the same units.

TEST (Pin 16)

This input has an on-chip pull-down device and is used to manually invoke a test mode.

The *Pushbutton Test* mode is initiated by a high level at Pin 16 (usually depression of a S.P.S.T. normally-open pushbutton switch to V_{DD}). After one oscillator cycle, IRED pulses approximately every 1.0 second, regardless of the presence of smoke. Additionally, the amplifier gain is increased by automatic selection of C1. Therefore, the background reflections in the smoke chamber may be interpreted as smoke, generating a simulated-smoke condition. After the second IRED pulse, a successful test activates the horn-driver and I/O circuits. The active I/O allows remote signaling for system testing. When the Pushbutton Test switch is released, the Test input returns to V_{SS} due to the on-chip pull-down device. After one oscillator cycle, the amplifier gain returns to normal, thereby removing the simulated-smoke condition. After two additional IRED pulses, less than three seconds, the IC exits the alarm mode and returns to standby timing.

CALIBRATION

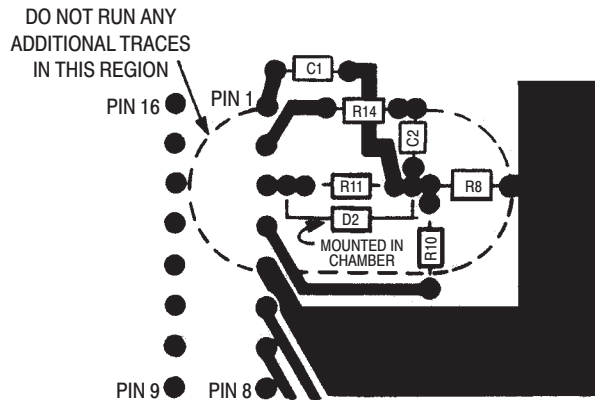
To facilitate checking the sensitivity and calibrating smoke detectors, the MC145012 can be placed in a calibration mode. In this mode, certain device pins are controlled/reconfigured as shown in Table 1. To place the part in the calibra-

tion mode, Pin 16 (Test) must be pulled below the V_{SS} pin with 100 μA continuously drawn out of the pin for at least one cycle on the OSC pin. To exit this mode, the Test pin is floated for at least one OSC cycle.

In the calibration mode, the IRED pulse rate is increased to one for every OSC cycle. Also, Strobe is always active low.

Table 1. Configuration of Pins in the Calibration Mode

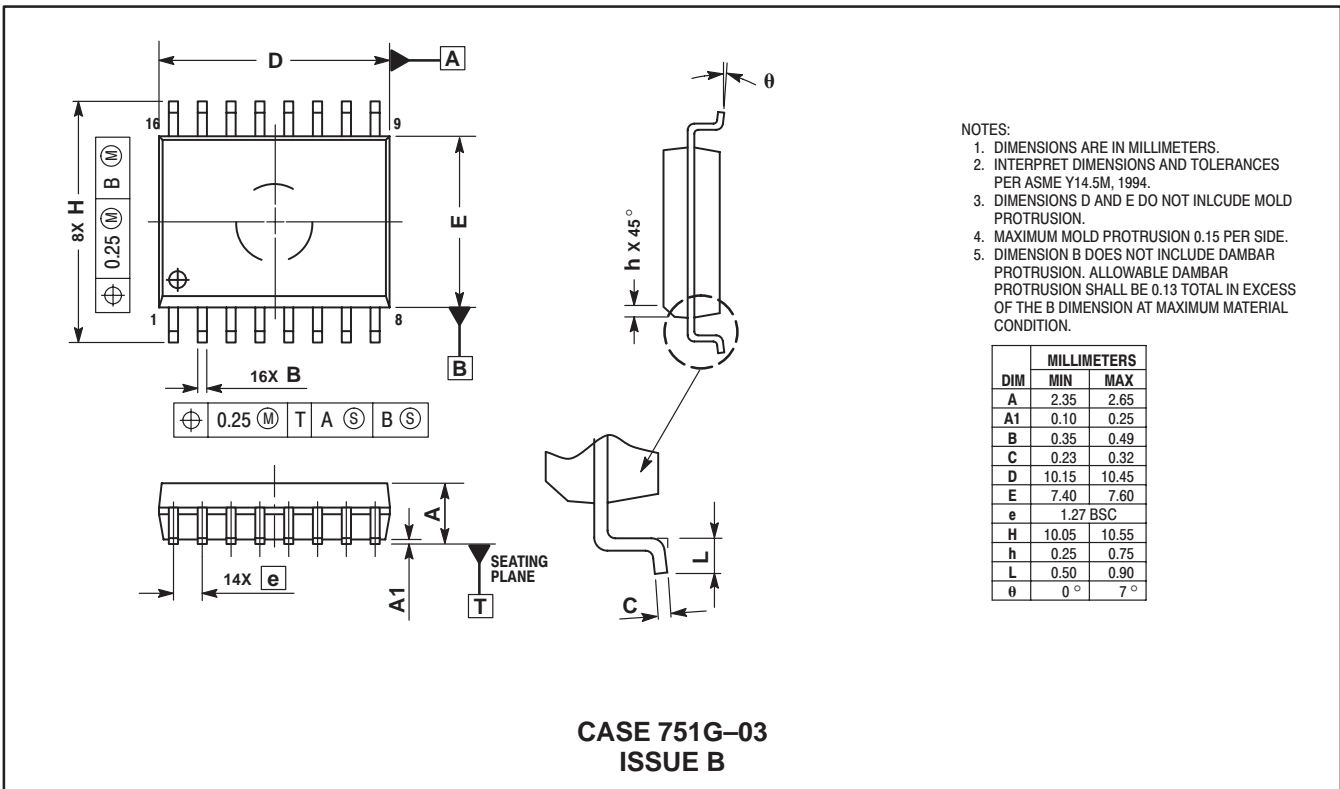
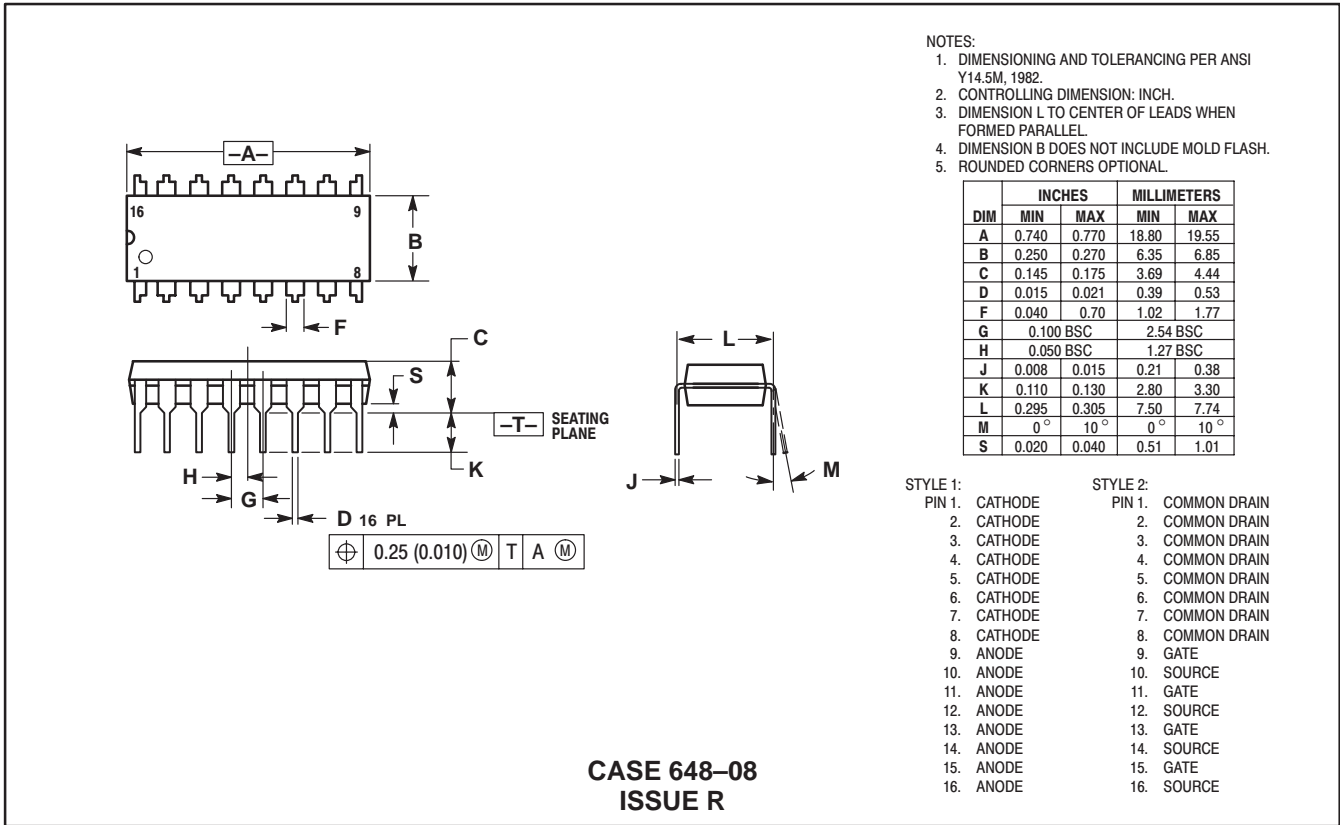
| Description | Pin | Comment |
|-----------------|-----|---|
| I/O | 7 | Disabled as an output. Forcing this pin high places the photo amp output on Pin 1 or 2, as determined by Low-Supply Trip. The amp's output appears as pulses and is referenced to V_{DD} etc. |
| Low-Supply Trip | 15 | If the I/O pin is high, Pin 15 controls which gain capacitor is used. Low: normal gain, amp output on Pin 1. High: supervisory gain, amp output on Pin 2. |
| Feedback | 10 | Driving this input high enables hysteresis (10% gain increase) in the photo amp; Pin 15 must be low. |
| OSC | 12 | Driving this input high brings the internal clock high. Driving the input low brings the internal clock low. If desired, the RC network for the oscillator may be left intact; this allows the oscillator to run similar to the normal mode of operation. |
| Silver | 9 | This pin becomes the smoke comparator output. When the OSC pin is toggling, positive pulses indicate that smoke has been detected. A static low level indicates no smoke. |
| Brass | 8 | This pin becomes the smoke integrator output. That is, 2 consecutive smoke detections are required for "on" (static high level) and 2 consecutive no-detections for "off" (static low level). |




- NOTES: Illustration is bottom view of layout using a DIP. Top view for SOIC layout is mirror image.
 Optional potentiometer R9 is not included.
 Drawing is not to scale.
 Leads on D2, R11, R8, and R10 and their associated traces must be kept as short as possible.
 This practice minimizes noise pick up.
 Pin 3 must be decoupled from all other traces.

Figure 6. Recommended PCB Layout

PACKAGE DIMENSIONS



Motorola reserves the right to make changes without further notice to any products herein. Motorola makes no warranty, representation or guarantee regarding the suitability of its products for any particular purpose, nor does Motorola assume any liability arising out of the application or use of any product or circuit, and specifically disclaims any and all liability, including without limitation consequential or incidental damages. "Typical" parameters which may be provided in Motorola data sheets and/or specifications can and do vary in different applications and actual performance may vary over time. All operating parameters, including "Typicals" must be validated for each customer application by customer's technical experts. Motorola does not convey any license under its patent rights nor the rights of others. Motorola products are not designed, intended, or authorized for use as components in systems intended for surgical implant into the body, or other applications intended to support or sustain life, or for any other application in which the failure of the Motorola product could create a situation where personal injury or death may occur. Should Buyer purchase or use Motorola products for any such unintended or unauthorized application, Buyer shall indemnify and hold Motorola and its officers, employees, subsidiaries, affiliates, and distributors harmless against all claims, costs, damages, and expenses, and reasonable attorney fees arising out of, directly or indirectly, any claim of personal injury or death associated with such unintended or unauthorized use, even if such claim alleges that Motorola was negligent regarding the design or manufacture of the part. Motorola and  are registered trademarks of Motorola, Inc. Motorola, Inc. is an Equal Opportunity/Affirmative Action Employer.

MOTOROLA and the Stylized M Logo are registered in the US Patent & Trademark Office. All other product or service names are the property of their respective owners. © Motorola, Inc. 2001.

How to reach us:

USA/EUROPE/Locations Not Listed: Motorola Literature Distribution;
P.O. Box 5405, Denver, Colorado 80217. 1-303-675-2140 or 1-800-441-2447

JAPAN: Motorola Japan Ltd.; SPS, Technical Information Center, 3-20-1,
Minami-Azabu, Minato-ku, Tokyo 106-8573 Japan. 81-3-3440-3569

Technical Information Center: 1-800-521-6274

ASIA/PACIFIC: Motorola Semiconductors H.K. Ltd.; Silicon Harbour Centre,
2, Dai King Street, Tai Po Industrial Estate, Tai Po, N.T., Hong Kong.
852-26668334

HOME PAGE: <http://www.motorola.com/semiconductors/>