



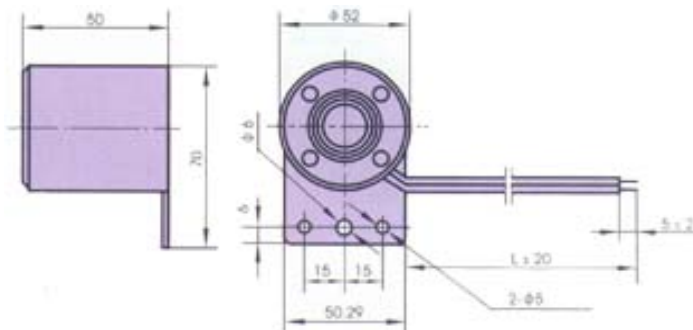
- **W-18 (18A, 18C, 18M12, 18M24)**



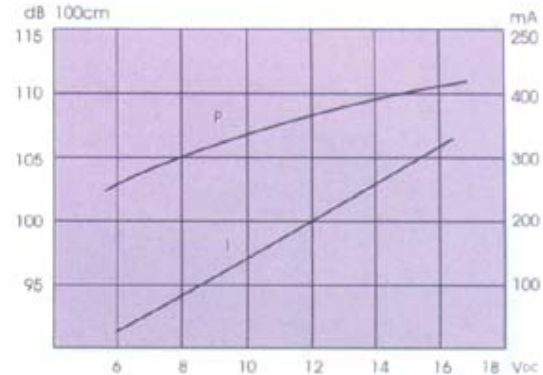
FEATURES:

- High output
- Sealed type
- High reliability

DIMENSIONS: (Unit: mm)



CHARACTERISTICS:



**W-18(18A,18M12, 18M24) L=300,
W-18C L=RED 1500 BLACK500**

W-18C: The components on the PC board is coated with resin lacquer for waterproof

ELECTRICAL SPECIFICATIONS :

Model No.	W-18	W-18A	W-18C	W-18M12	W-18M24
Min. Sound Pressure Level (dBA)	105 /12V _{DC} /100cm	105 /24V _{DC} /100cm	105 /12V _{DC} /100cm	105 /12V _{DC} /100cm	105 /24V _{DC} /100cm
Rated Voltage (V _{DC})	12	24	12	12	24
Operating Voltage (V _{DC})	6 ~ 15	18 ~ 26	6 ~ 15	6 ~ 15	18 ~ 28
Max. Consumption (mA)	300	200	300	350	400
Resonant Frequency (Hz)	1.5 ~ 4.0			2 ~ 4	
Tone Nature	Siren			Intermitent(1~3Hz)	
Operating Temperature (°C)	-30 ~ +70				
Weight (g)	85				
Case Material/Colour	ABS/Black				

PACKING INFORMATION :

Packing:	100 pcs per export carton
Carton Size:	47 X 30.5 X 21 cm
G. Weight:	11 kgs
N. Weight:	8.5 kgs