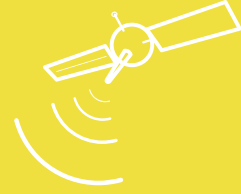




**Wellshow**  
Always Innovation



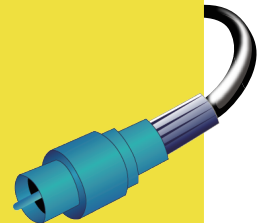
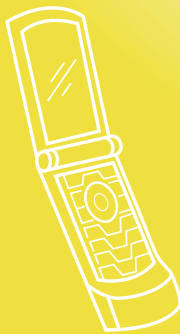
047



## PRODUCT SPECIFICATION

# GSM Quad Band Antenna with Right Angle SMA

Product No. AR001WSG0801B



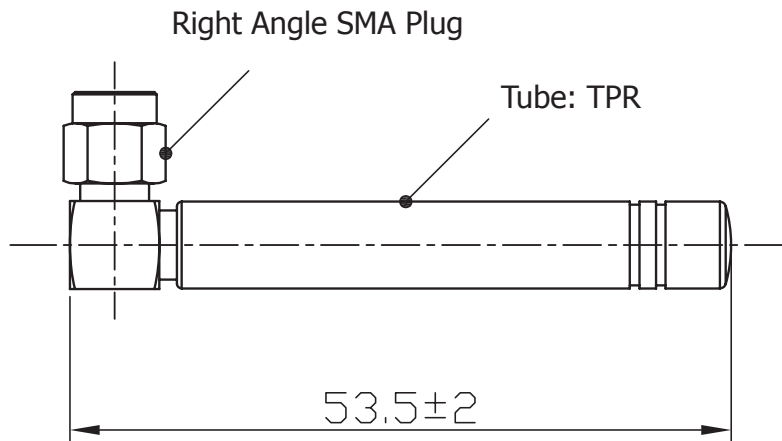
RF Connector, RF Cable & Antenna Manufacturer

E-mail: [sales@wellshow.com.tw](mailto:sales@wellshow.com.tw)  
Tel: +886-2-24239376 Fax: +886-2-24260387  
9F., No.181, Nanrong Rd., Ren-ai Dist., Keelung City 200, Taiwan (R.O.C.)

## GSM Quad Band Antenna with Right Angle SMA

Product No. AR001WSG0801B

### Structure Figure



### Mechanical

Antenna Tube	TPR
Tube Color	Black
Operating Temperature	-20°C~+60°C
Storage Temperature	-30°C~+75°C
Connector Type	Right Angle SMA Plug
Connector Plating	Gold

### Electrical

Frequency Range	800/900/1800/1900MHz
Impedance	50 Ω
VSWR	2.0 Max
Gain	2.0 dBi
Electrical Wave	1/2λ, Dipole
Radiation	Omni
Polarization	Vertical

# Test Report

