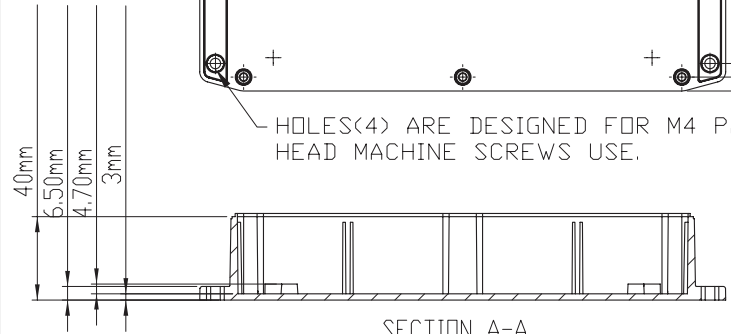
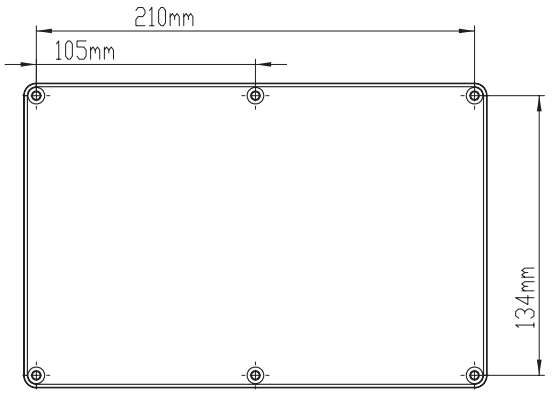
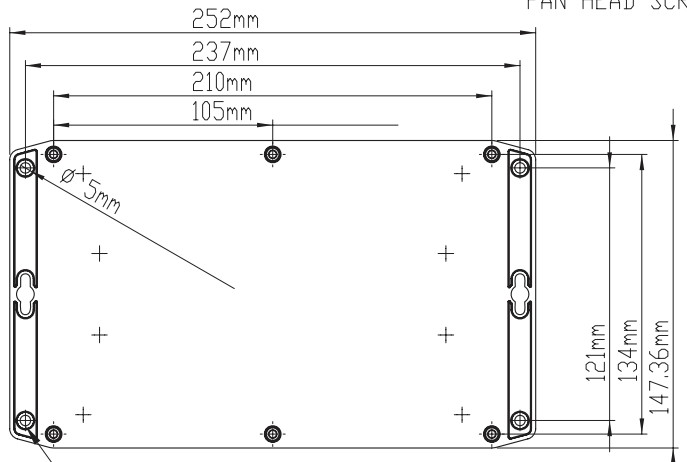


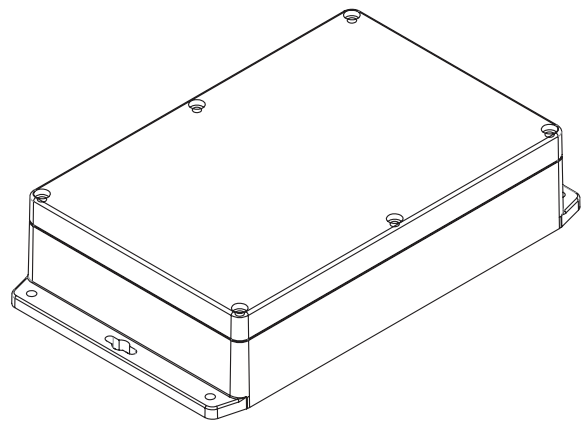
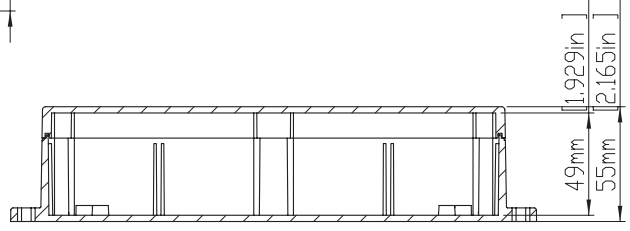
SECTION B-B  
SCALE 2 : 5

HOLES(8) ARE DESIGNED FOR M3X4mm SELF-TAPPING SCREWS USE.

SIX(6) M4X20mm PAN HEAD SCREWS.



SECTION A-A  
SCALE 2 : 5



TOLERANCES: +/- 0.30 mm (+/- 0.012in)

宜又實業有限公司 GAINTA INDUSTRIES LTD.	繪圖	DRA'D BY	日期	DATE	材質	MATE.	圖名TITLE:	圖號DWG NO:	版次REVISID:
		JACKY	2010/11/8		PC ; ABS		G218MF ; G317MF		A