

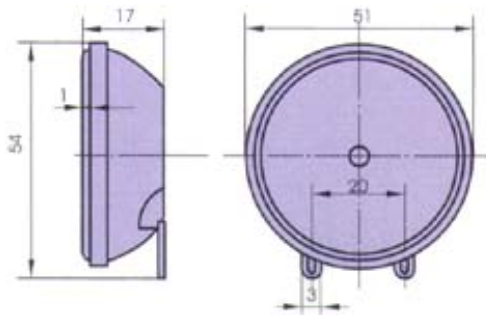
• **W-05 (05A)**



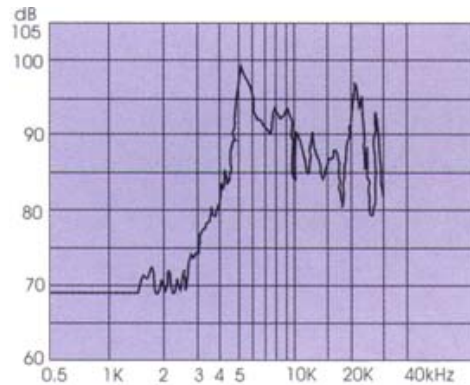
FEATURES:

- Small and light
- Compact structure
- High reliability

DIMENSIONS: (Unit: mm)



CHARACTERISTICS:



ELECTRICAL SPECIFICATIONS :

Model No.	W-05	W-05A
Min. Sound Pressure Level (dB)	95/22 ± 1KHz/2.83VRMS Sine Wave/50cm	100/4.5 ± 1.5KHz/2.83VRMS Sine Wave/50cm
Rated Voltage (V _{p-p})	30	
Capacitance at 120Hz(nF)	110 ± 30%	
Resonant Frequency (kHz)	22 ± 1	4.5 ± 1.5
Operating Temperature (°C)	-20 ~ +70	
Weight (g)	10	
Case Material/Colour	ABS/Black	

PACKING INFORMATION :

Packing :	720 pcs per export carton
Carton Size :	47 X 30.5 X 35 cm
G. Weight :	9 kgs
N. Weight :	7 kgs