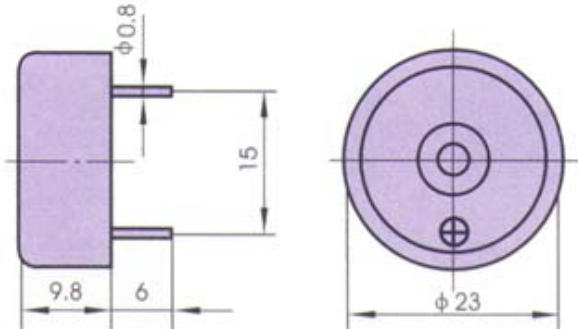
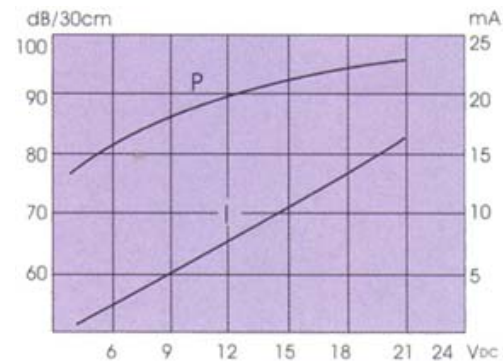




- **EFM-260 (260A)**

**FEATURES:**

- Small size
- Low height and light weight
- Easy mounting
- High reliability

DIMENSIONS: (Unit: mm)**CHARACTERISTICS:****ELECTRICAL SPECIFICATIONS :**

Model No.	EFM-260	EFM-260A
Min. Sound Pressure Level (dB)	85 /12V _{DC} /30cm	85 /24V _{DC} /30cm
Rated Voltage (V _{DC})	12	24
Operating Voltage (V _{DC})	3 ~ 24	12 ~ 36
Max. Consumption (mA)	12/12V _{DC}	12/24V _{DC}
Oscillating Frequency (kHz)	3.5 ± 0.5	
Tone Nature	Continuous	
Operating Temperature (°C)	-20 ~ +70	
Weight (g)	4.3	
Case Material/Colour	PC/Black	

PACKING INFORMATION :

Packing :	2400 pcs per export carton
Carton Size :	47 X 30.5 X 35 cm
G. Weight :	12.1 kgs
N. Weight :	10.5 kgs