



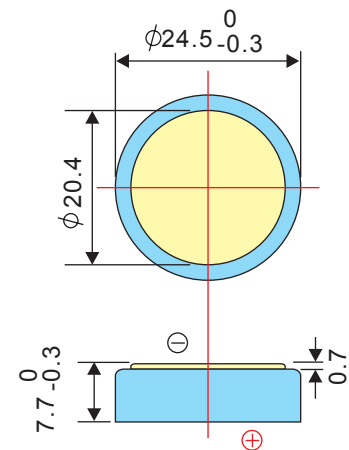
CR2477 *Brief Datasheet*

Lithium Manganese Dioxide Coin Batteries

1 BASIC SPECIFICATION

| | |
|---|---------|
| Nominal Voltage(V) | 3.0 |
| Nominal Capacity(mAh) Continuous discharge with 1.5kΩ to 2.0V cut-off, +23°C | 1000 |
| Continuous standard load (kΩ) | 1.5 |
| Operating temperature (°C) | -20~+70 |
| Weight (g) | 9.5 |

Note: Typical values relative to cells stored for three months at 23°C.

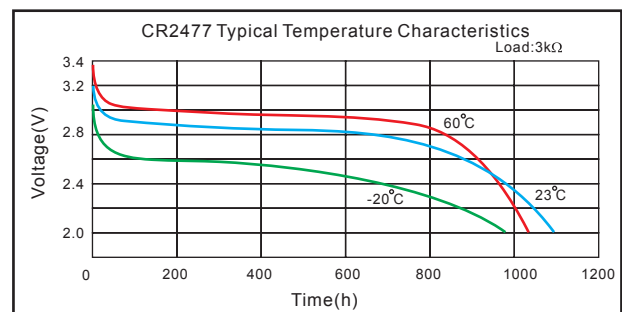
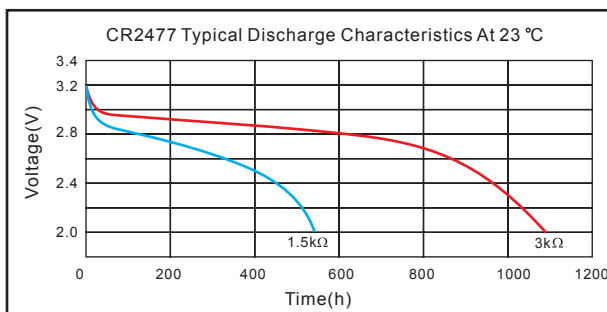


Unit: mm

2 MAIN FEATURES

- ◆ Light Weight, High Voltage and High Energy Density.
- ◆ Excellent Stable Discharge Characteristics and Outstanding Temperature Characteristics.
- ◆ Excellent Leakage Resistance and Excellent Long-term Reliability.

3 ELECTRICAL CHARACTERISTICS



4 WARNING!

- ◆ Do not recharge, short-circuit, disassemble, deform, heat or place the battery near a direct flame. Any of the above actions could cause it to ignite explode or become damaged.
- ◆ Keep this battery out of the reach of children.
- ◆ When storing the battery or throwing it away, be sure to cover it with tape.

Note: Any representations in this brochure concerning performance, are for informational purposes only and are not construed as warranties either expressed or implied, of future performance.