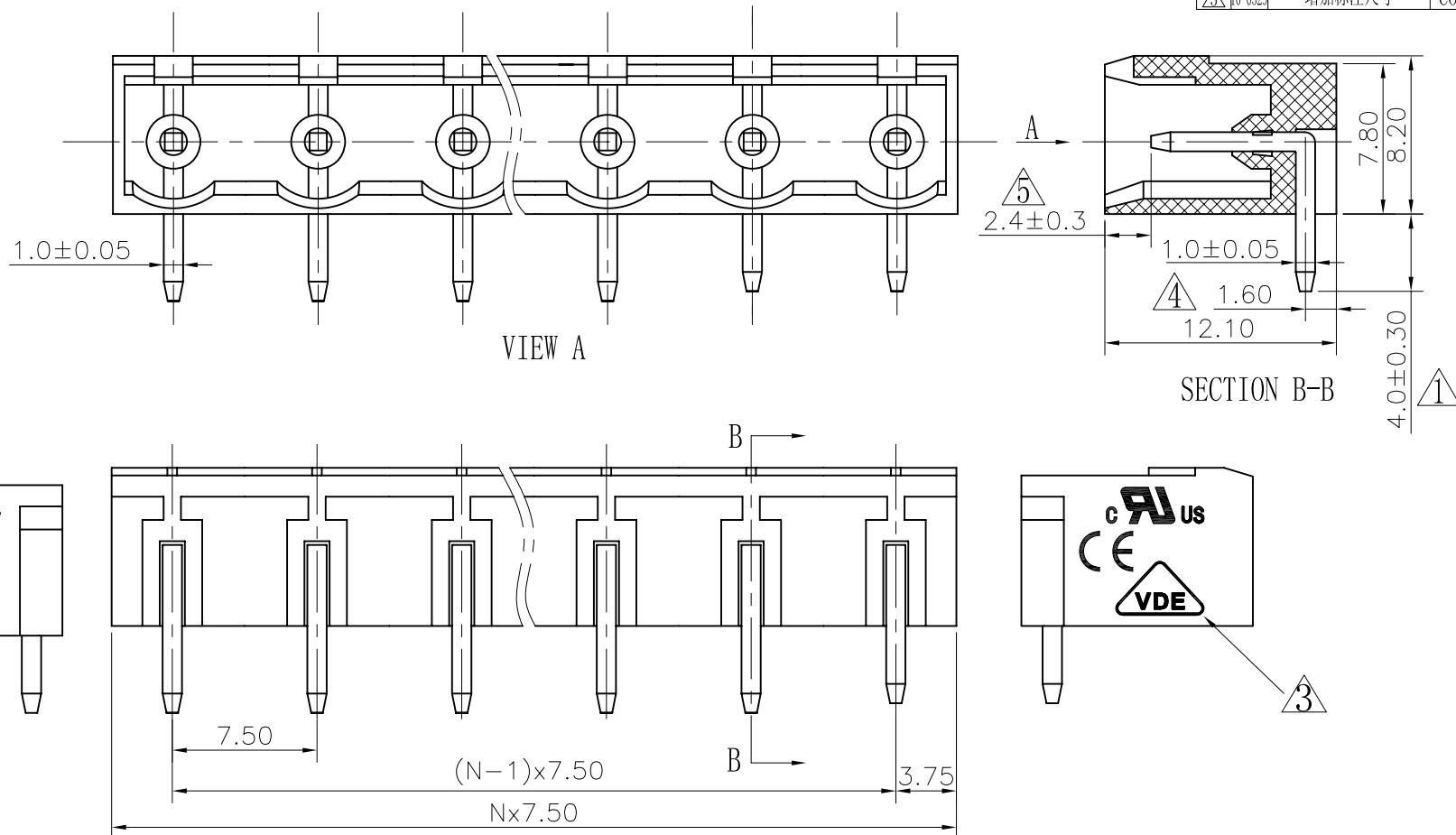


REVISION RECORD				
REV	ECO	DESCRIPTION	DRFT	DATE
1		4.5±0.1变更到4.0±0.3	DZJ	06/14/05
2		图面更新	CSX	05/04/06
3		增加VDE、CE刻字	Ye j	02/27/08*
4		更新图面	LJH	04/16/08*
10-0329		增加标注尺寸	COCO	10/05/10*



Notes:

1. Pitch:7.5mm ,Poles:2-24P
2. Rated voltage/current:UL 300V/15A  
VDE 400V/20A
3. Operation temperatures:-40℃~+105℃
4. Withstanding Voltage:AC2000V/1Min
5. Insulation Resistance:5000MΩ/DC1000V
6. Undimensioned Tolerances:

ITEM	NAME OF PART	NO. OF PART	Q'TY	MATERIAL	NOTES												
2	2EDGR Pin header	1008B00040 (H)	XX	Brass	SnCe												
<table border="1"> <tr> <td>← MM (INCH) →</td> <td>DFTO Zhuwm</td> <td>DATE 08/02/04</td> </tr> <tr> <td>TOLERANCES EXCEPT AS NOTED</td> <td>CHKD</td> <td>DATE</td> </tr> <tr> <td></td> <td>MFO</td> <td>DATE</td> </tr> <tr> <td></td> <td>APPLV</td> <td>DATE</td> </tr> </table>		← MM (INCH) →	DFTO Zhuwm	DATE 08/02/04	TOLERANCES EXCEPT AS NOTED	CHKD	DATE		MFO	DATE		APPLV	DATE	<p><b>DEGSON</b> 宁波高正电子有限公司 DEGSON ELECTRONICS CO., LTD</p> <p>NAME <b>2EDGRC-7.5-XXP-1Y-00A(H)</b></p> <p>DRAWING NO. 2EDGRC-7.5-E01      SIZE A3      REV T5 /PART NO.      10/05/10*</p>			
← MM (INCH) →	DFTO Zhuwm	DATE 08/02/04															
TOLERANCES EXCEPT AS NOTED	CHKD	DATE															
	MFO	DATE															
	APPLV	DATE															
<table border="1"> <tr> <td>ANGLES ± 1'</td> <td>G.E :</td> </tr> <tr> <td>THIRD ANGLE PROJECTION</td> <td>FINISH :</td> </tr> <tr> <td></td> <td>SCALE : 1:1</td> </tr> </table>		ANGLES ± 1'	G.E :	THIRD ANGLE PROJECTION	FINISH :		SCALE : 1:1	<p>DO NOT SCALE DRAWING      SHEET 1 OF 1</p>									
ANGLES ± 1'	G.E :																
THIRD ANGLE PROJECTION	FINISH :																
	SCALE : 1:1																