

$I_{F(AV)} = 1 \text{ Amp}$   
 $V_R = 60V$

**Major Ratings and Characteristics**

Characteristics	10BQ060	Units
$I_{F(AV)}$ Rectangular waveform	1.0	A
$V_{RRM}$	60	V
$I_{FSM}$ @tp=5µs sine	700	A
$V_F$ @1.0Apk, $T_J=125^\circ\text{C}$	0.57	V
$T_J$ range	-55 to 150	°C

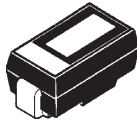
**Description/ Features**

The 10BQ060 surface-mount Schottky rectifier has been designed for applications requiring low forward drop and very small foot prints on PC boards. Typical applications are in disk drives, switching power supplies, converters, free-wheeling diodes, battery charging, and reverse battery protection.


- Small foot print, surface mountable
- Low forward voltage drop
- High frequency operation
- Guard ring for enhanced ruggedness and long term reliability

**Case Styles**

10BQ060



SMB



## Voltage Ratings

Part number	10BQ060
V <sub>R</sub> Max. DC Reverse Voltage (V)	60
V <sub>RWM</sub> Max. Working Peak Reverse Voltage (V)	

## Absolute Maximum Ratings

Parameters	10BQ	Units	Conditions
I <sub>F(AV)</sub> Max. Average Forward Current	1.0	A	50% duty cycle @ T <sub>L</sub> = 103 °C, rectangular wave form
I <sub>FSM</sub> Max. Peak One Cycle Non-Repetitive Surge Current	700	A	Following any rated load condition and with rated V <sub>RRM</sub> applied
	42		
E <sub>AS</sub> Non- Repetitive Avalanche Energy	2.0	mJ	T <sub>J</sub> = 25 °C, I <sub>AS</sub> = 1A, L = 4mH
I <sub>AR</sub> Repetitive Avalanche Current	1.0	A	Current decaying linearly to zero in 1 μsec Frequency limited by T <sub>J</sub> max. Va = 1.5 x Vr typical

## Electrical Specifications

Parameters	10BQ	Units	Conditions
V <sub>FM</sub> Max. Forward Voltage Drop (1) * See Fig. 1	0.6	V	@ 1A T <sub>J</sub> = 25 °C
	0.76	V	@ 2A
	0.57	V	@ 1A T <sub>J</sub> = 125 °C
	0.69	V	@ 2A
I <sub>RM</sub> Max. Reverse Leakage Current (1) * See Fig. 2	0.1	mA	T <sub>J</sub> = 25 °C
	5.0	mA	T <sub>J</sub> = 125 °C V <sub>R</sub> = rated V <sub>R</sub>
C <sub>T</sub> Typical Junction Capacitance	62	pF	V <sub>R</sub> = 5V <sub>DC</sub> (test signal range 100kHz to 1MHz) 25 °C
L <sub>S</sub> Typical Series Inductance	2.0	nH	Measured lead to lead 5mm from package body
dv/dt Max. Volatge Rate of Charge (Rated V <sub>R</sub> )	10000	V/ μs	

(1) Pulse Width &lt; 300μs, Duty Cycle &lt; 2%

## Thermal-Mechanical Specifications

Parameters	10BQ	Units	Conditions
T <sub>J</sub> Max. Junction Temperature Range (*)	-55 to 150	°C	
T <sub>stg</sub> Max. Storage Temperature Range	-55 to 150	°C	
R <sub>thJL</sub> Max. Thermal Resistance Junction to Lead (**)	36	°C/W	DC operation
R <sub>thJA</sub> Max. Thermal Resistance Junction to Ambient	80	°C/W	
wt Approximate Weight	0.10(0.003)	g(oz.)	
Case Style	SMB		Similar DO-214AA
Device Marking	IR1H		

(\*)  $\frac{dP_{tot}}{dT_J} < \frac{1}{R_{th(j-a)}}$  thermal runaway condition for a diode on its own heatsink

(\*\*) Mounted 1 inch square PCB

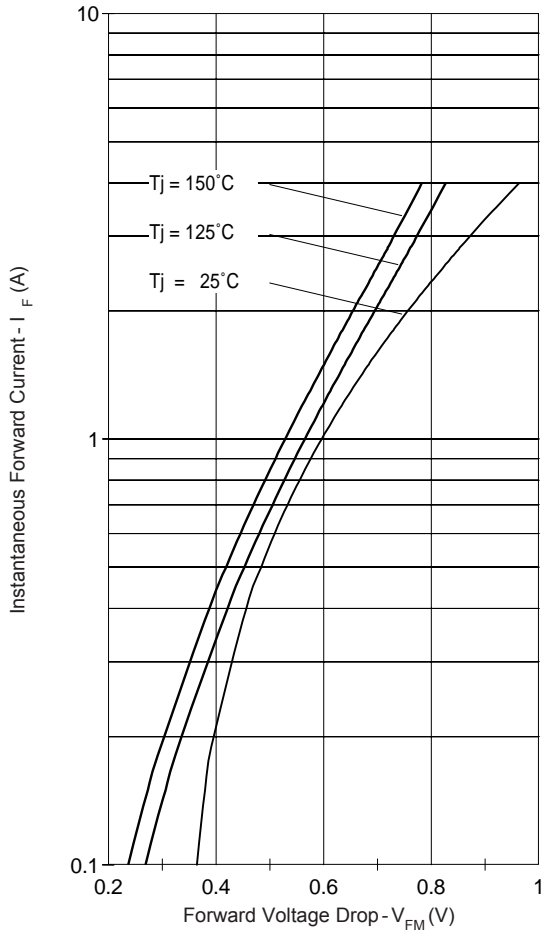


Fig. 1 - Maximum Forward Voltage Drop Characteristics

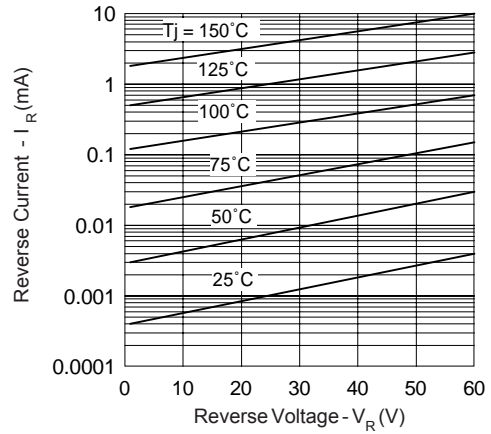


Fig. 2 - Typical Peak Reverse Current Vs. Reverse Voltage

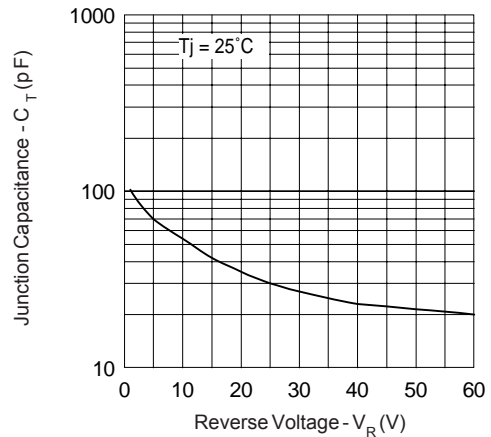


Fig. 3 - Typical Junction Capacitance Vs. Reverse Voltage

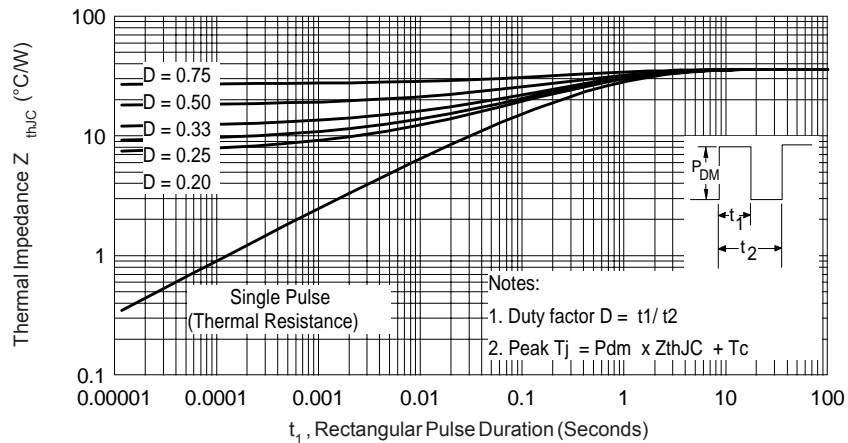


Fig. 4 - Max. Thermal Impedance  $Z_{thJC}$  Characteristics (Per Leg)

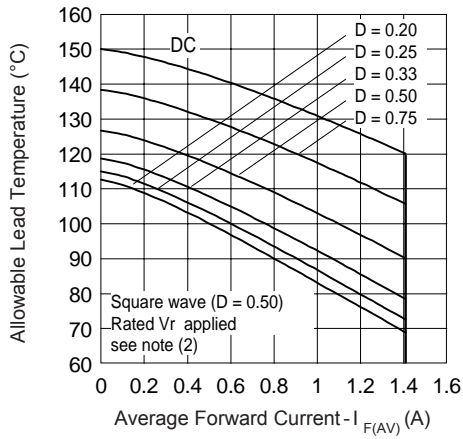


Fig. 4 - Maximum Average Forward Current Vs. Allowable Lead Temperature

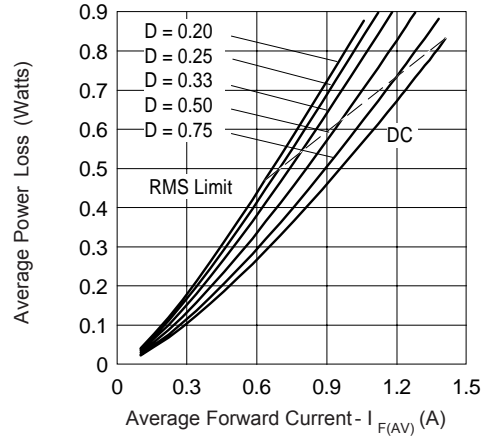


Fig. 5 - Maximum Average Forward Dissipation Vs. Average Forward Current

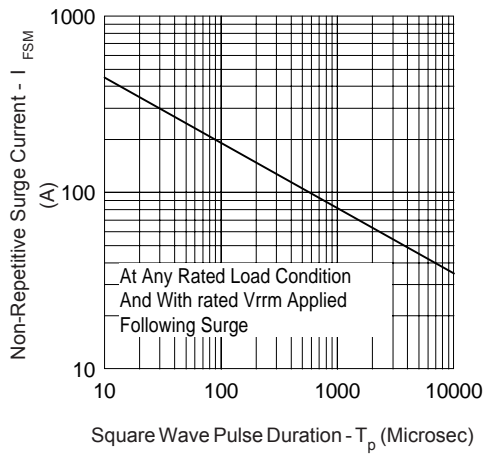
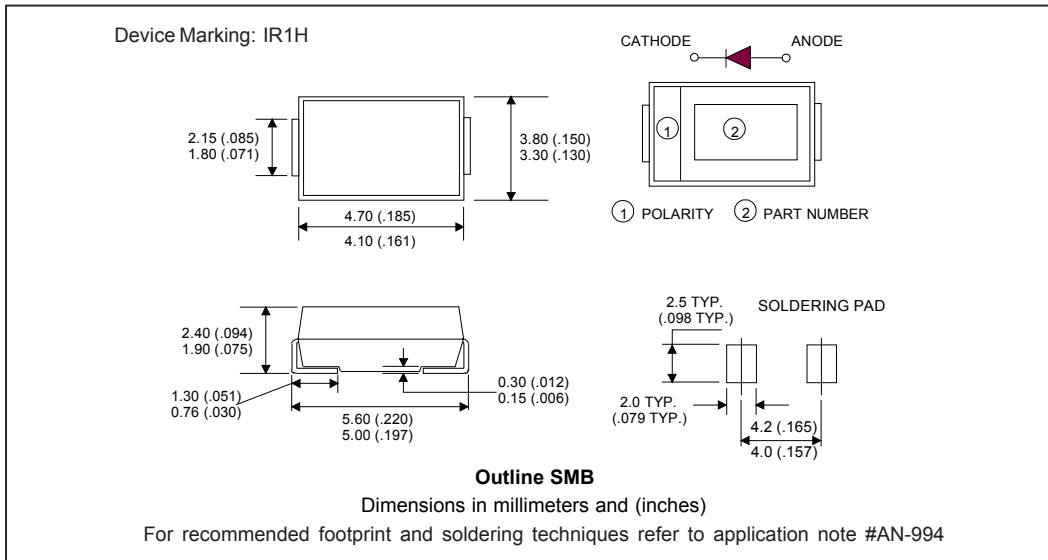


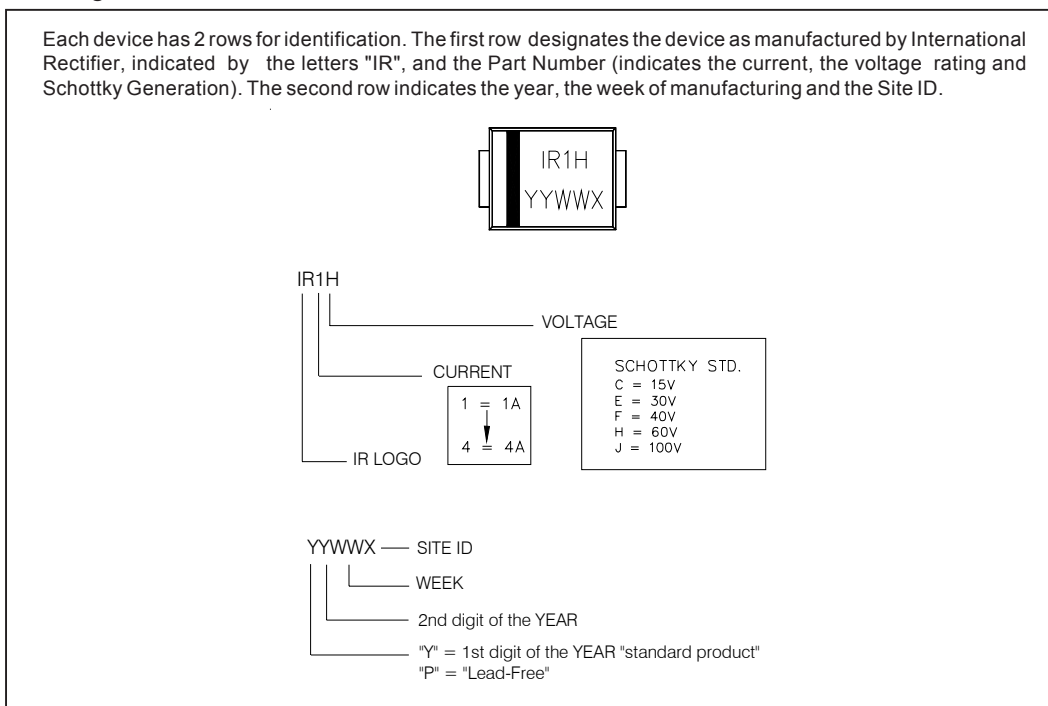
Fig. 6 - Maximum Peak Surge Forward Current Vs. Pulse Duration

- (2) Formula used:  $T_C = T_J - (Pd + Pd_{REV}) \times R_{thJC}$ ;  
 $Pd = \text{Forward Power Loss} = I_{F(AV)} \times V_{FM} @ (I_{F(AV)} / D)$  (see Fig. 6);  
 $Pd_{REV} = \text{Inverse Power Loss} = V_{R1} \times I_R (1 - D)$ ;  $I_R @ V_{R1} = 80\% \text{ rated } V_R$

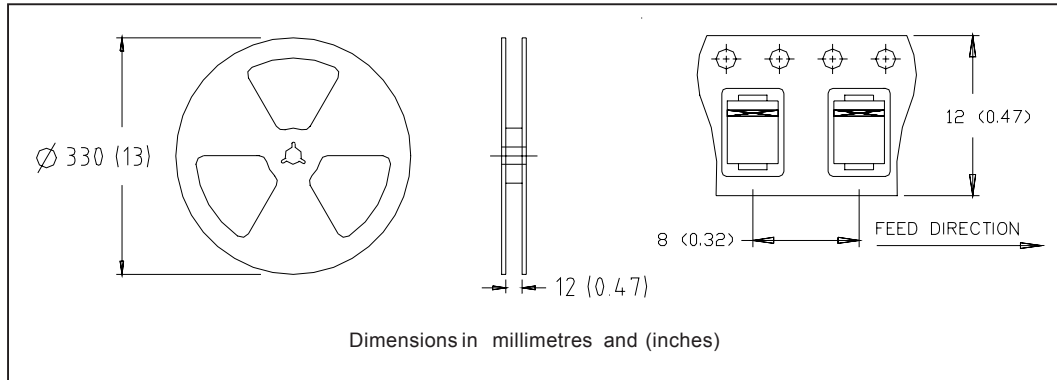
Outline Table



Marking & Identification



Tape & Reel Information



Ordering Information Table

Device Code					
<b>10</b>	<b>B</b>	<b>Q</b>	<b>060</b>	<b>TR</b>	<b>-</b>
①	②	③	④	⑤	⑥
<b>1</b>	- Current Rating				
<b>2</b>	- B = Single Lead Diode				
<b>3</b>	- Q = Schottky Q Series				
<b>4</b>	- Voltage Rating (060 = 60V)				
<b>5</b>	- • none = Box (1000 pieces) • TR = Tape & Reel (3000 pieces)				
<b>6</b>	- • none = Standard Production • PbF = Lead-Free				

Data and specifications subject to change without notice.  
This product has been designed and qualified for Industrial Level.  
Qualification Standards can be found on IR's Web site.